

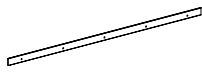


MANTION POLSKA

WWW.MANTION.PL

Ymir | ROC DESIGN

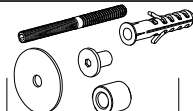
219-325, 219-335, 219-345, 219-355, 219-365



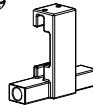
x1



x2



x4/x5/x6



x2



x2



x1



S14x40

Ø6x30

x2



M8

x8



Ø8

x16

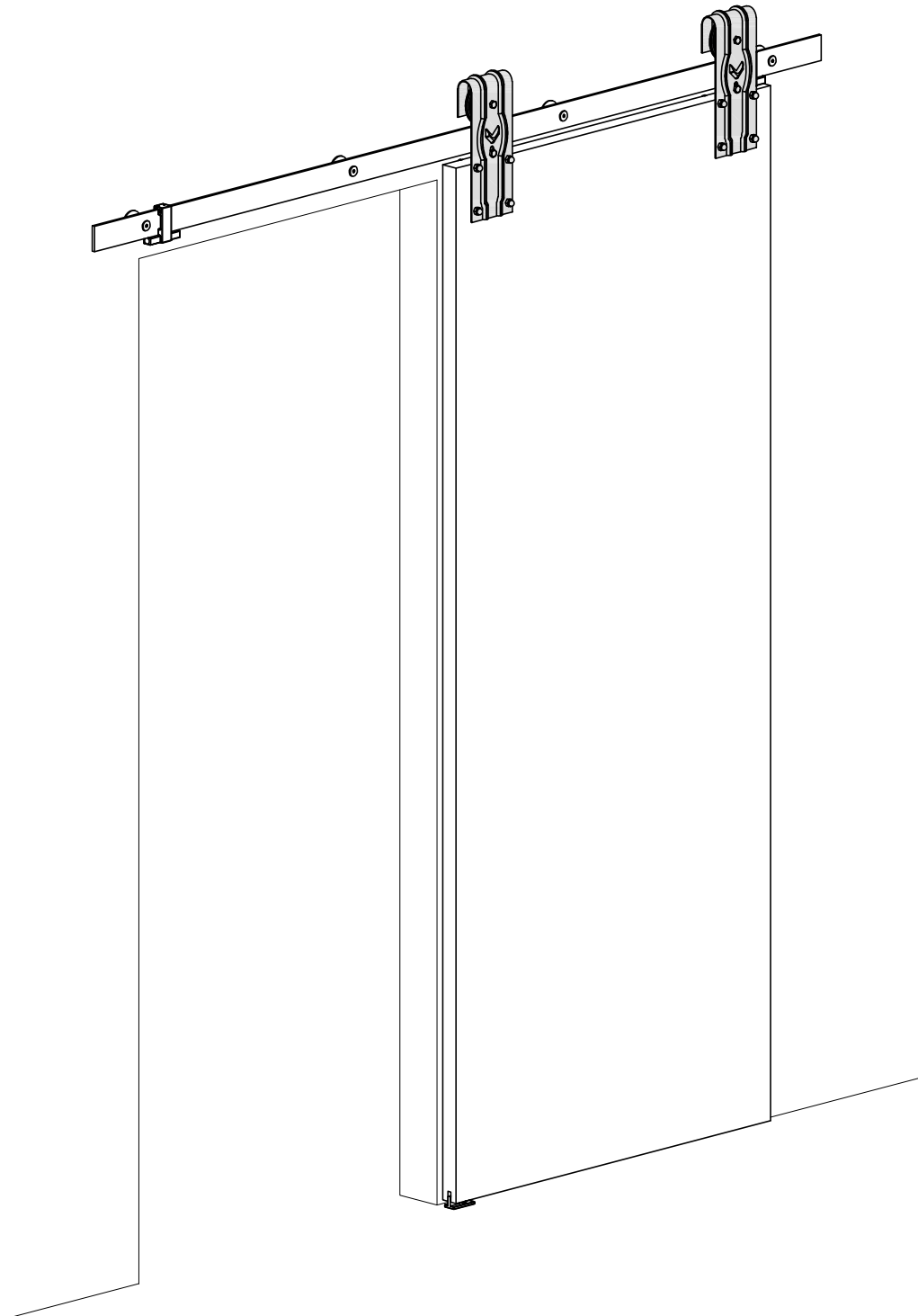


M8x50

x8

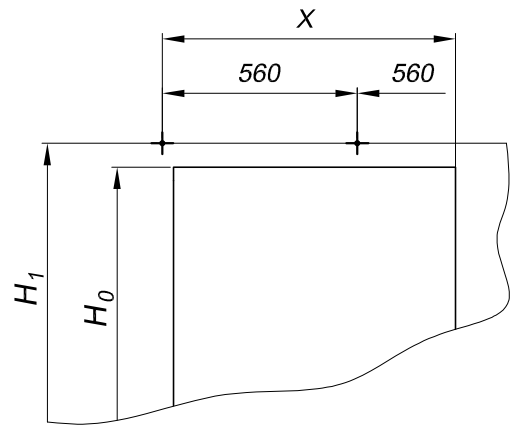
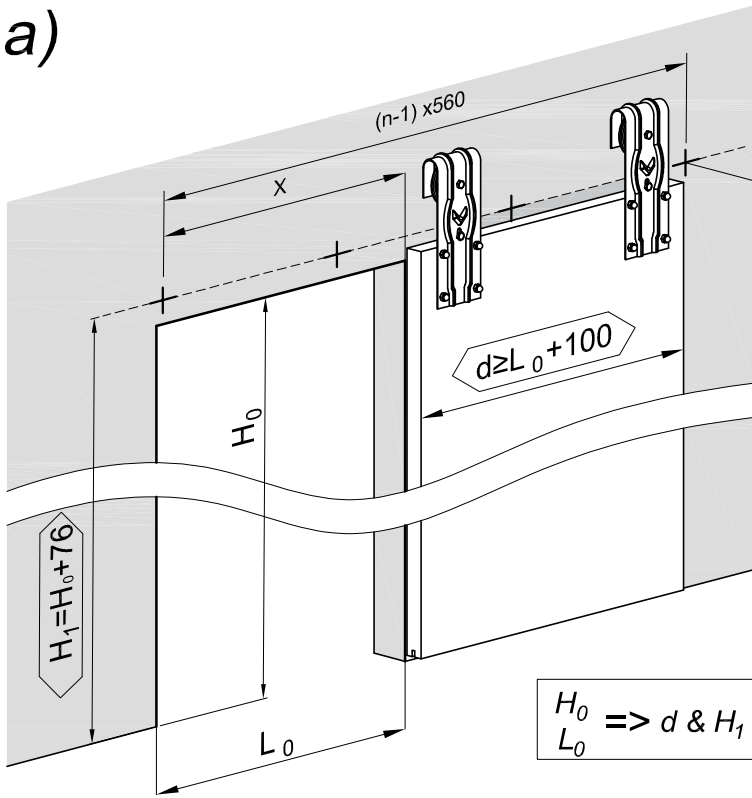


120
KG



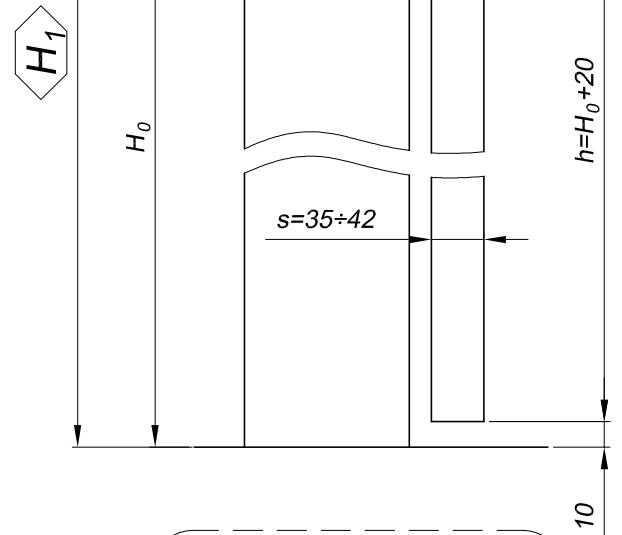
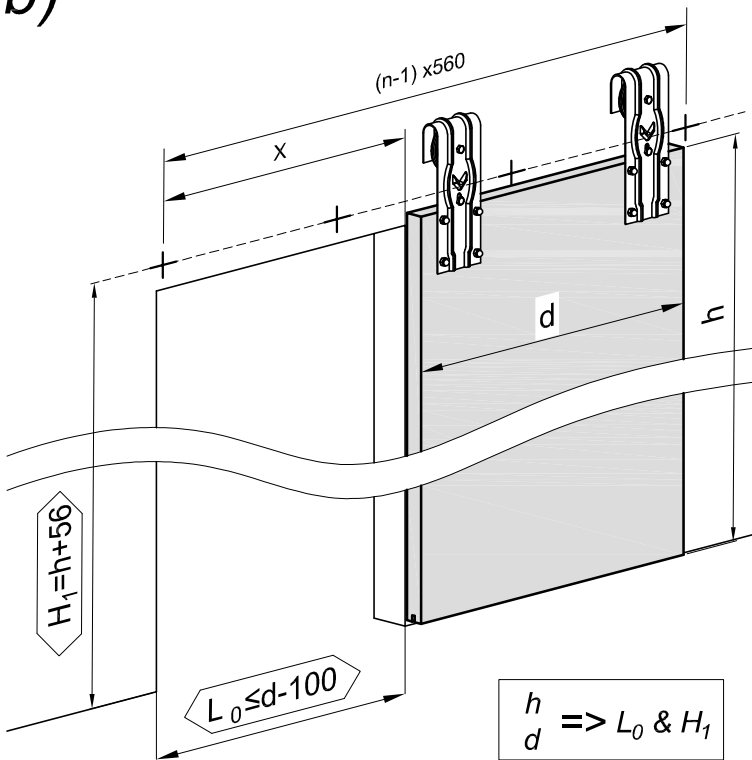
1

a)



L_{Track} [mm]	1950	2400	3000
X [mm]	840	1120	1400
n [szt]	4	5	6

b)

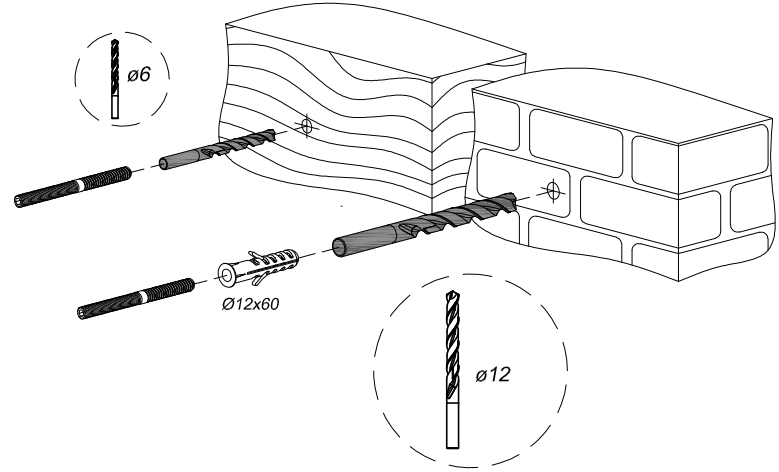
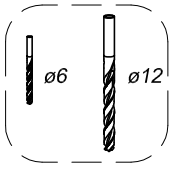


216-110
216-111

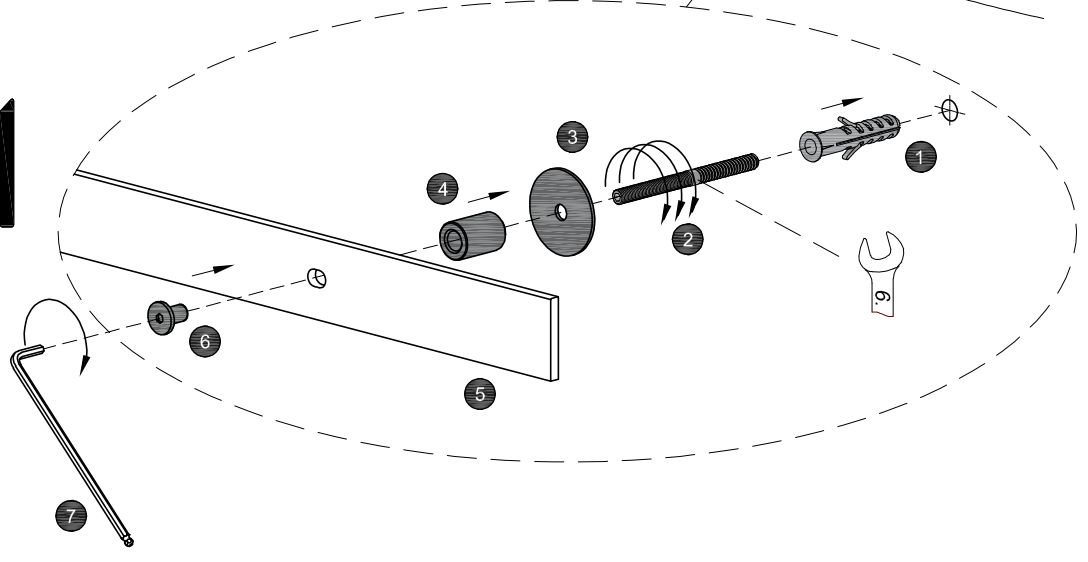
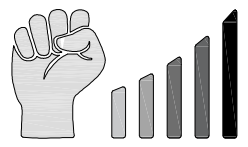
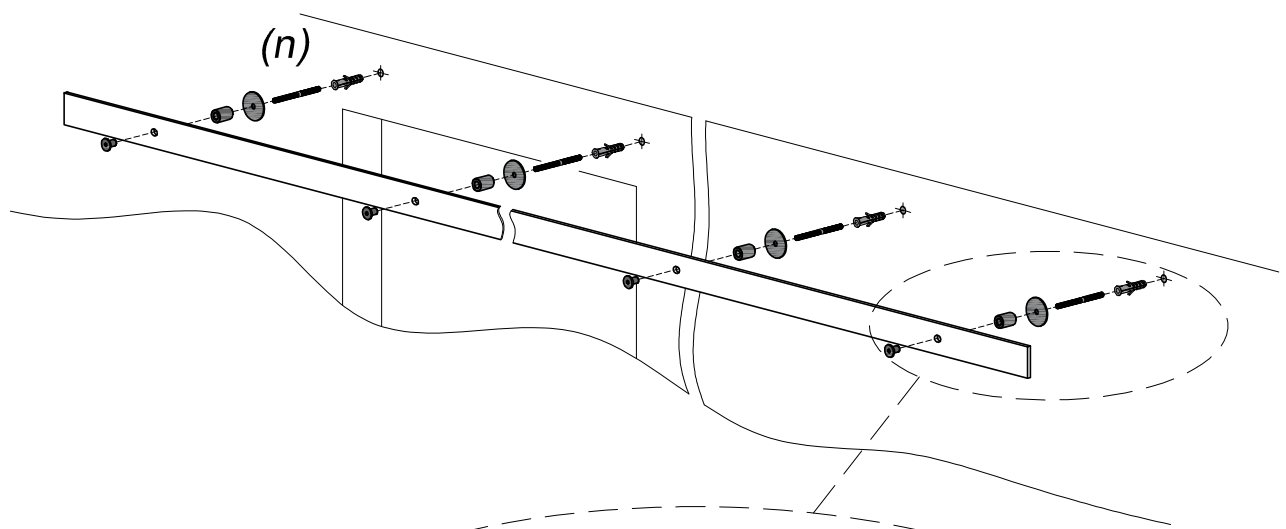
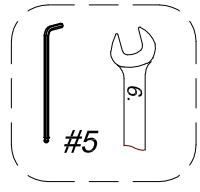
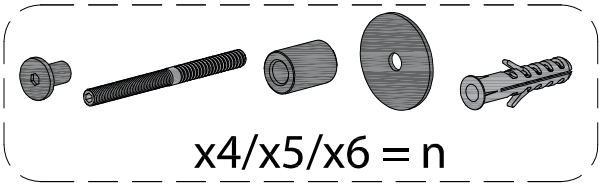
$H_1 = H_0 + 81$
 $H_1 = h + 61$



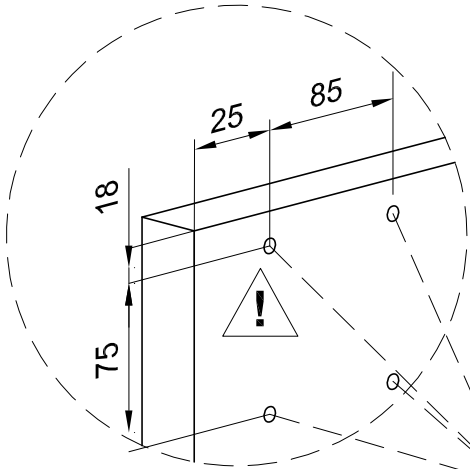
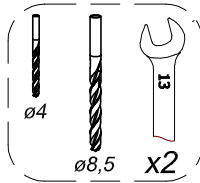
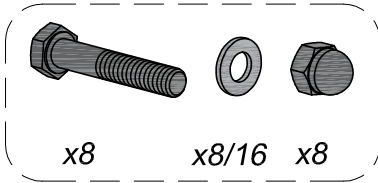
2



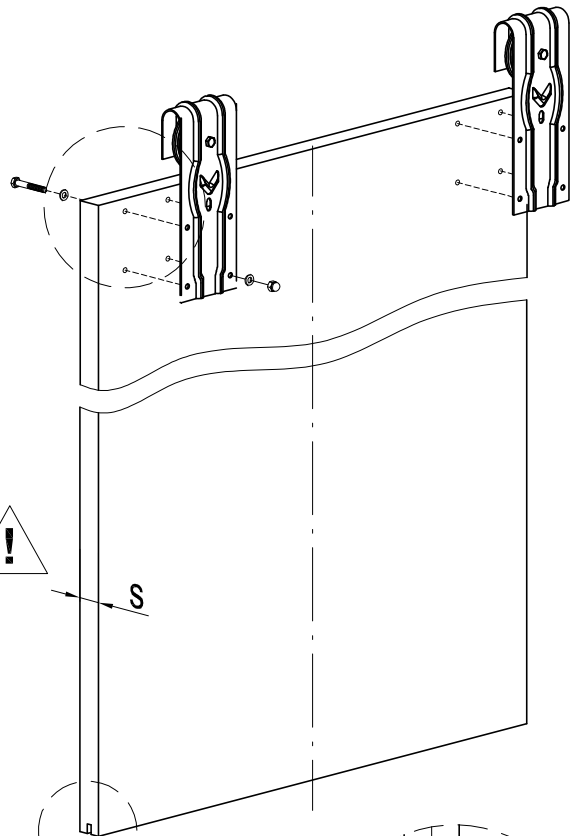
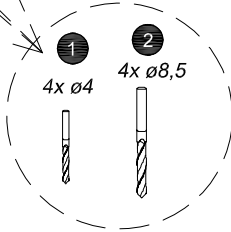
3



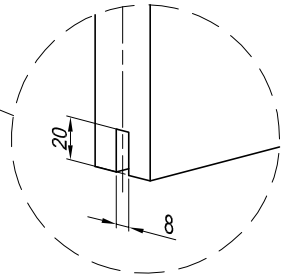
4



4.1

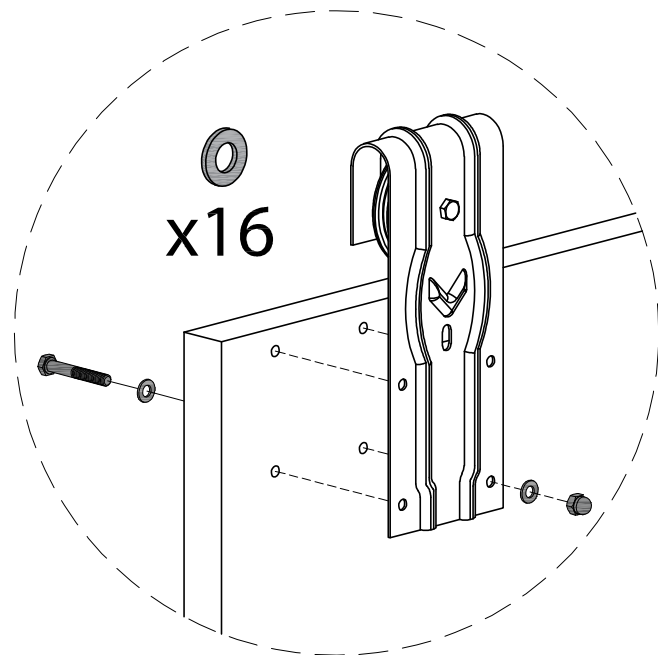


4.2

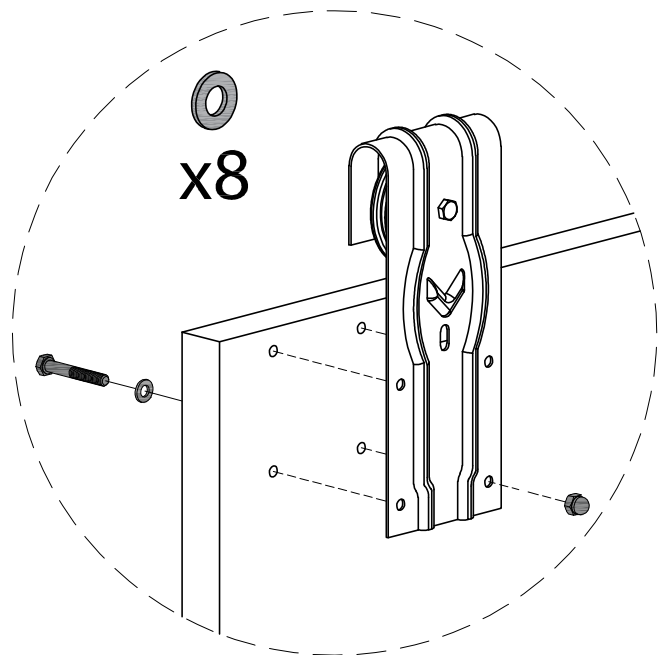


4.3

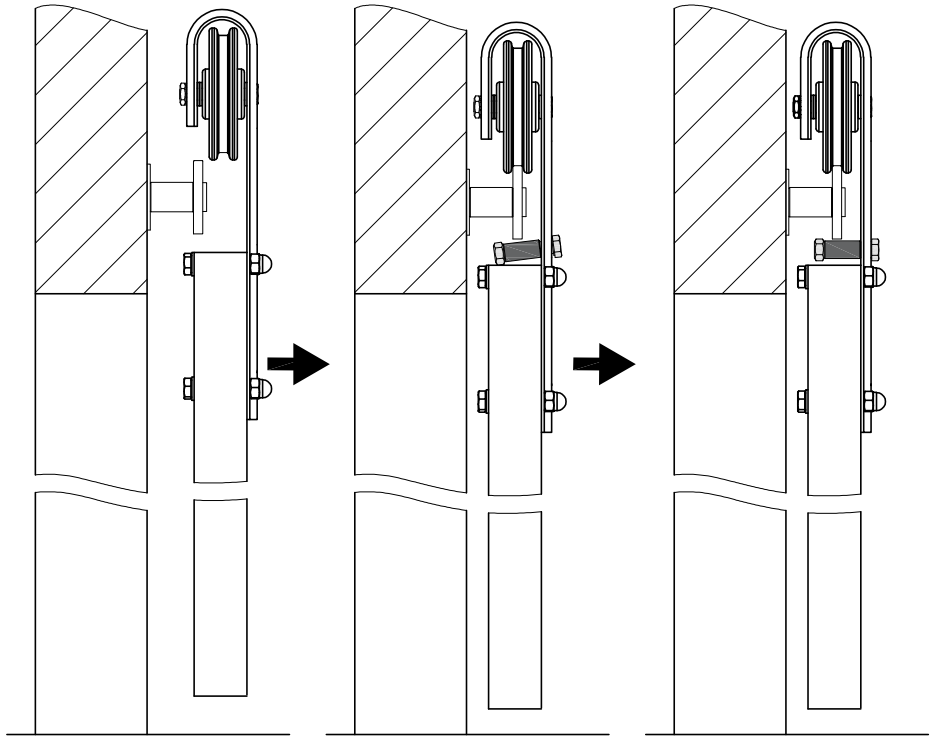
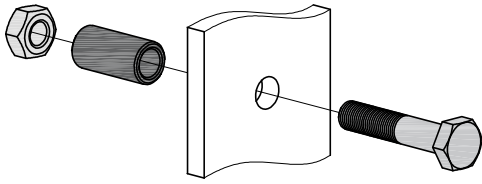
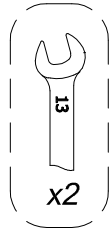
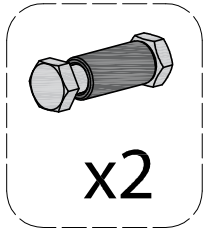
! 35 < s < 38



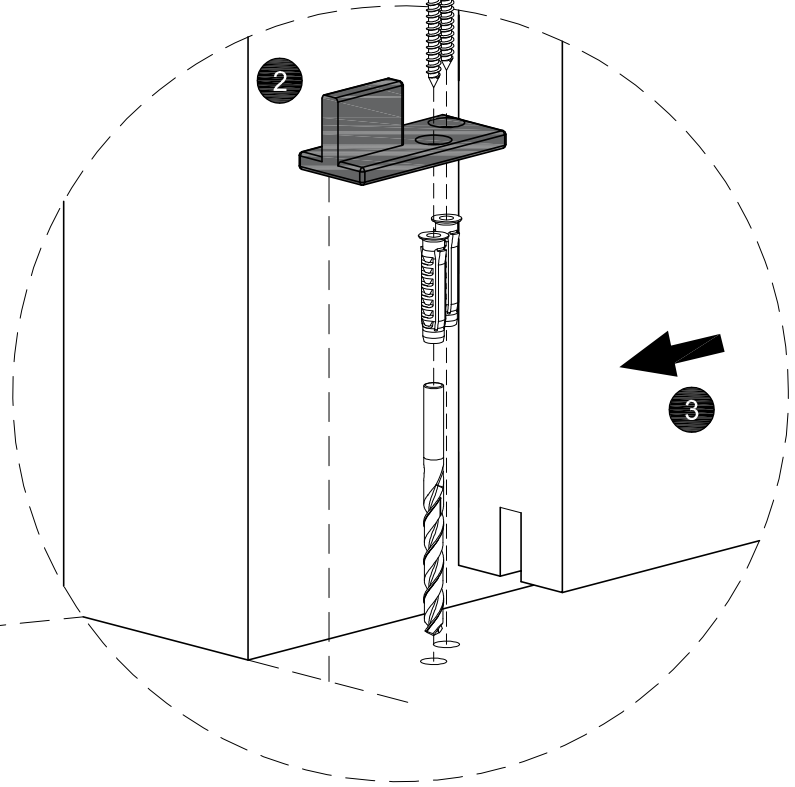
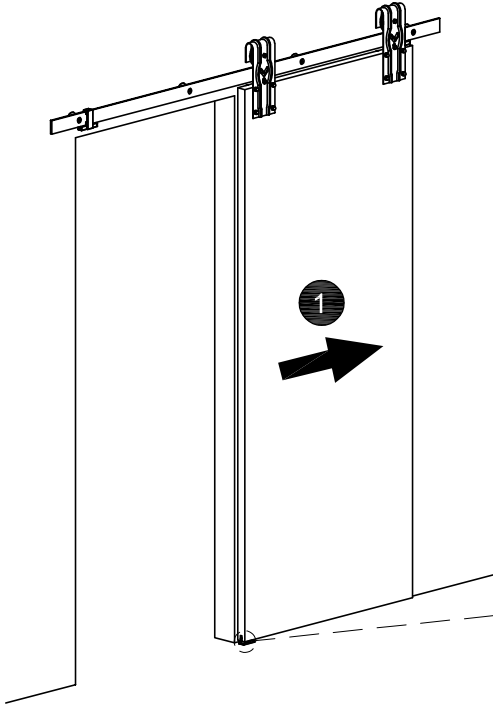
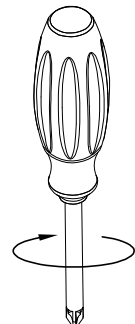
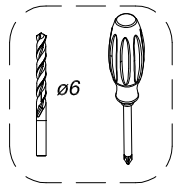
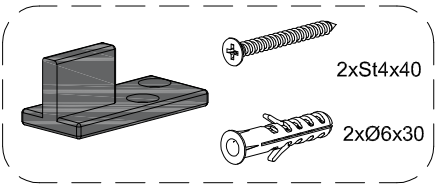
! 38 < s < 42



5

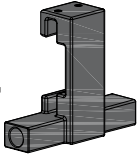


6

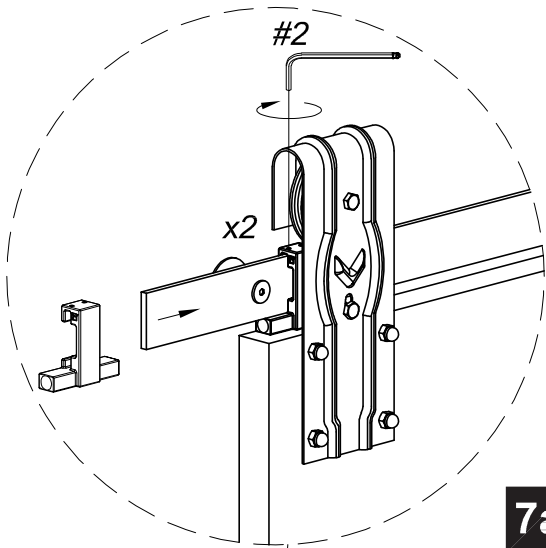
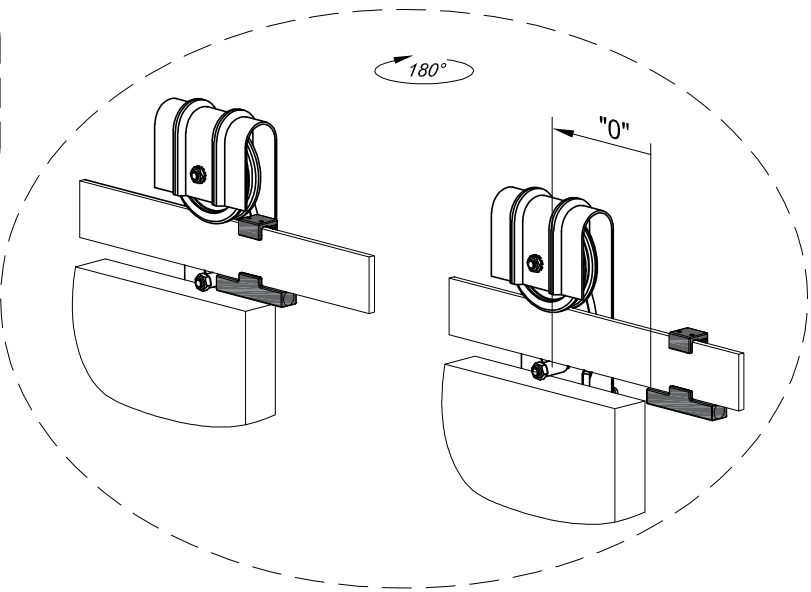
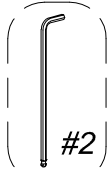


7

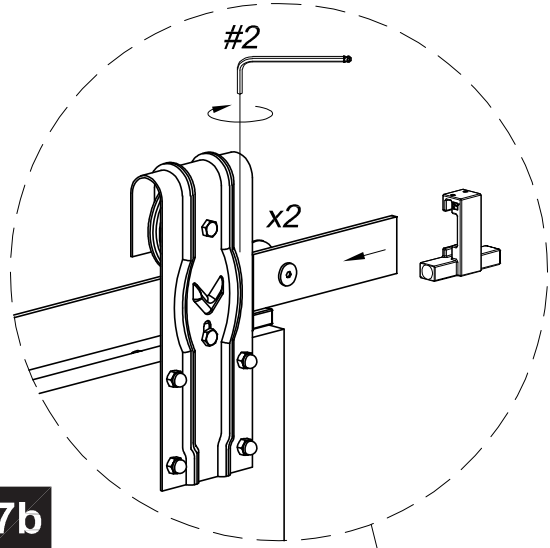
x2



#2



7a



7b

