



**MANTION POLSKA**

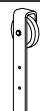
WWW.MANTION.PL

# Thor glass | ROC DESIGN

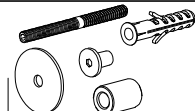
219-235, 219-236, 219-237, 219-238, 219-239  
219-328, 219-338, 291-348, 291-358, 219-368



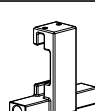
x1



x2



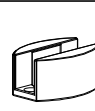
x4/x5/x6



x2



x2



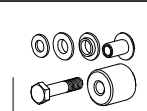
x1



St4x40

Ø6x30

x2

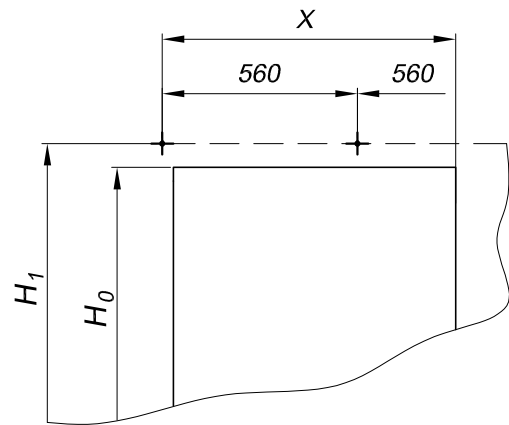
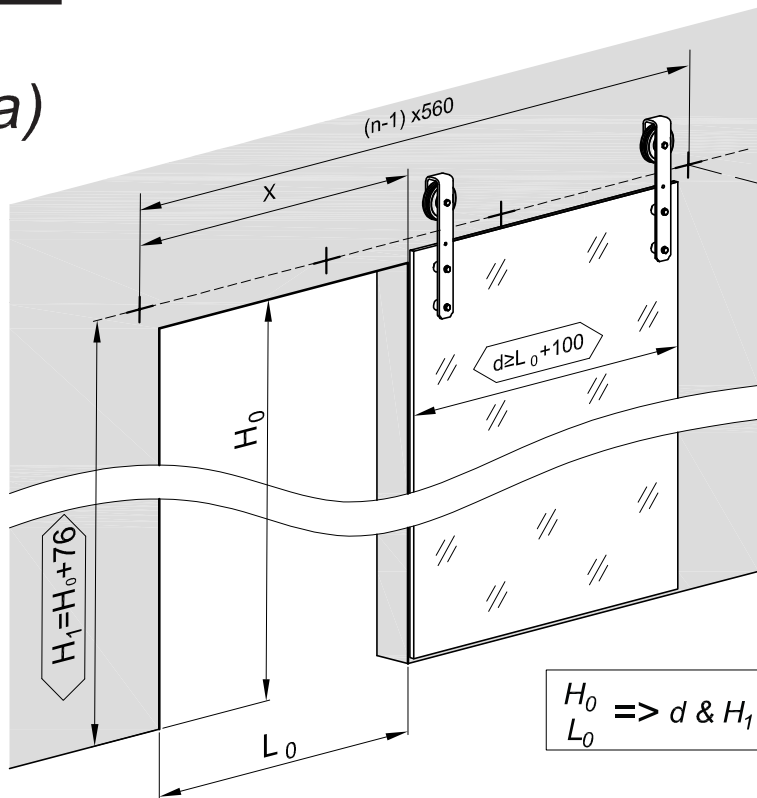


x4



1

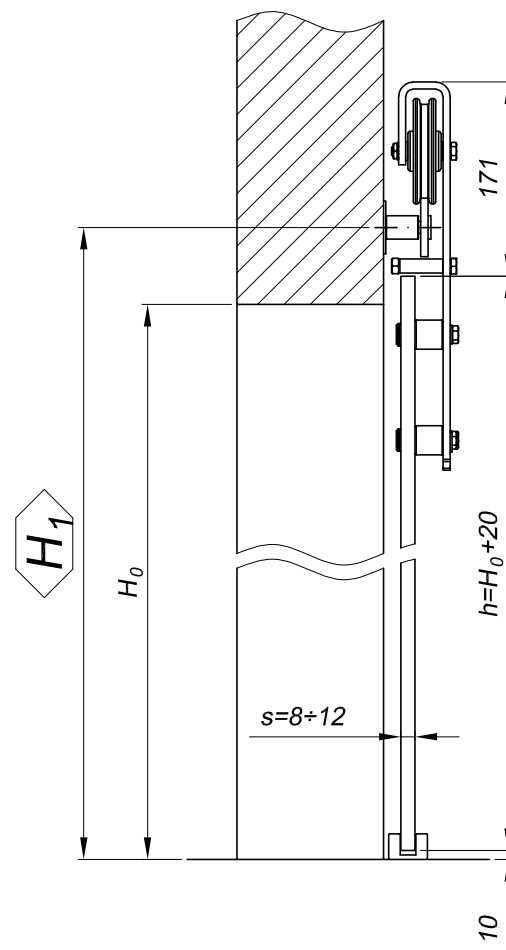
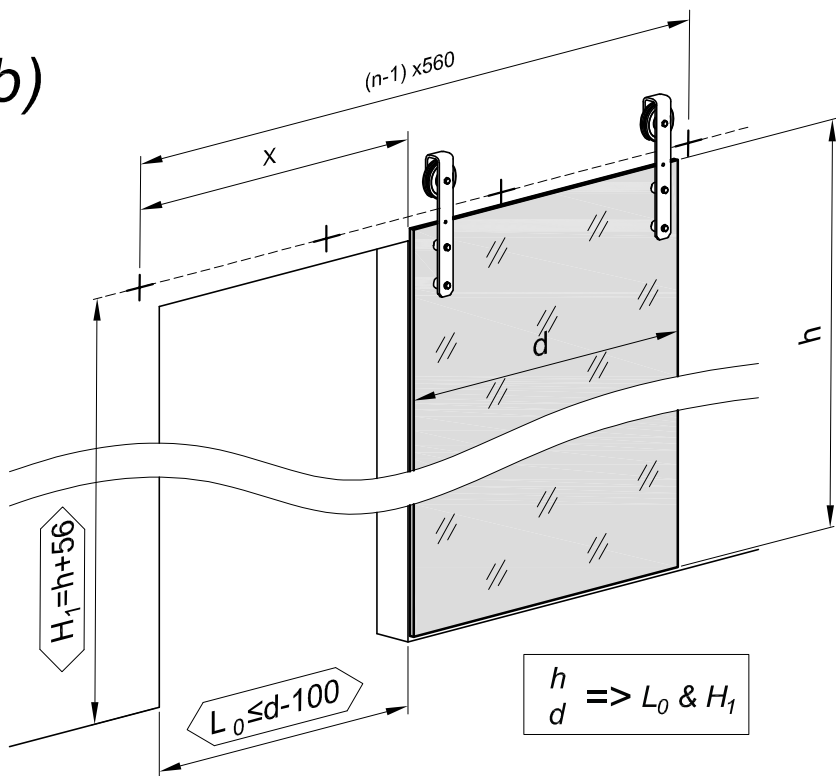
a)



$L_{Track}$ [mm]	1950	2400	3000
$X$ [mm]	840	1120	1400
$n$ [szt]	4	5	6

$H_0 \Rightarrow d \ \& \ H_1$   
 $L_0$

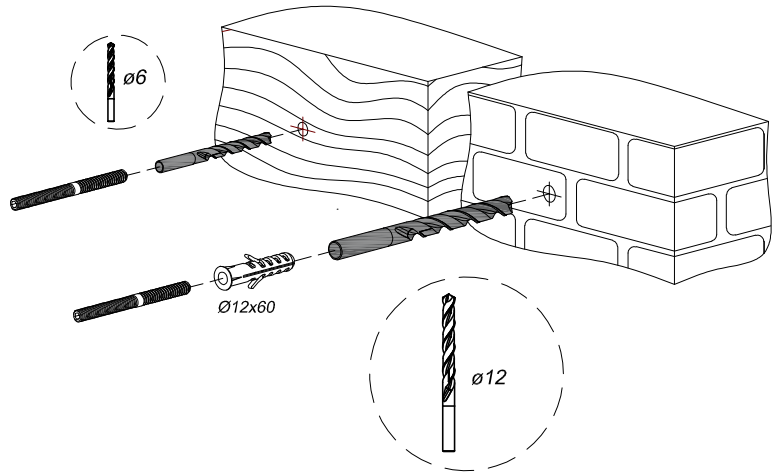
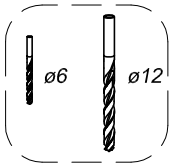
b)



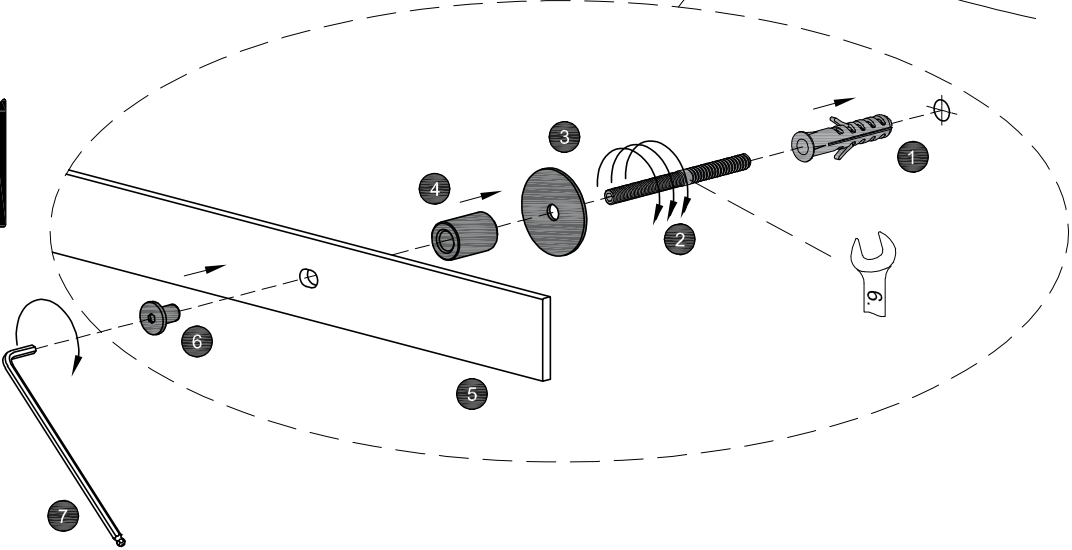
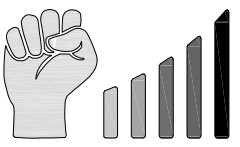
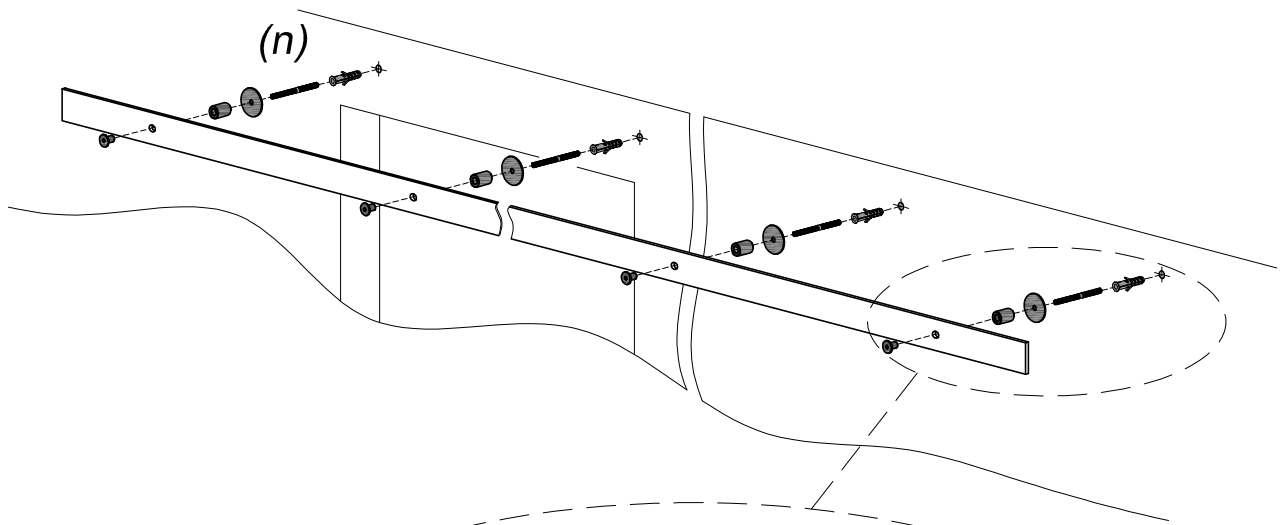
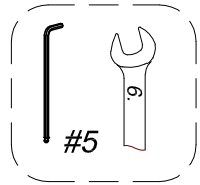
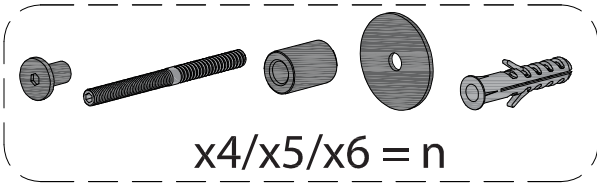
$h \Rightarrow L_0 \ \& \ H_1$   
 $d$



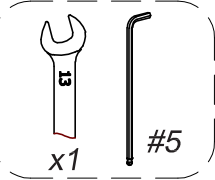
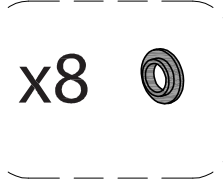
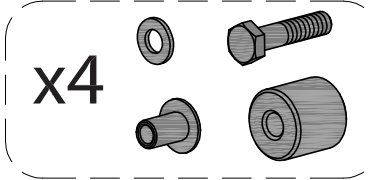
2



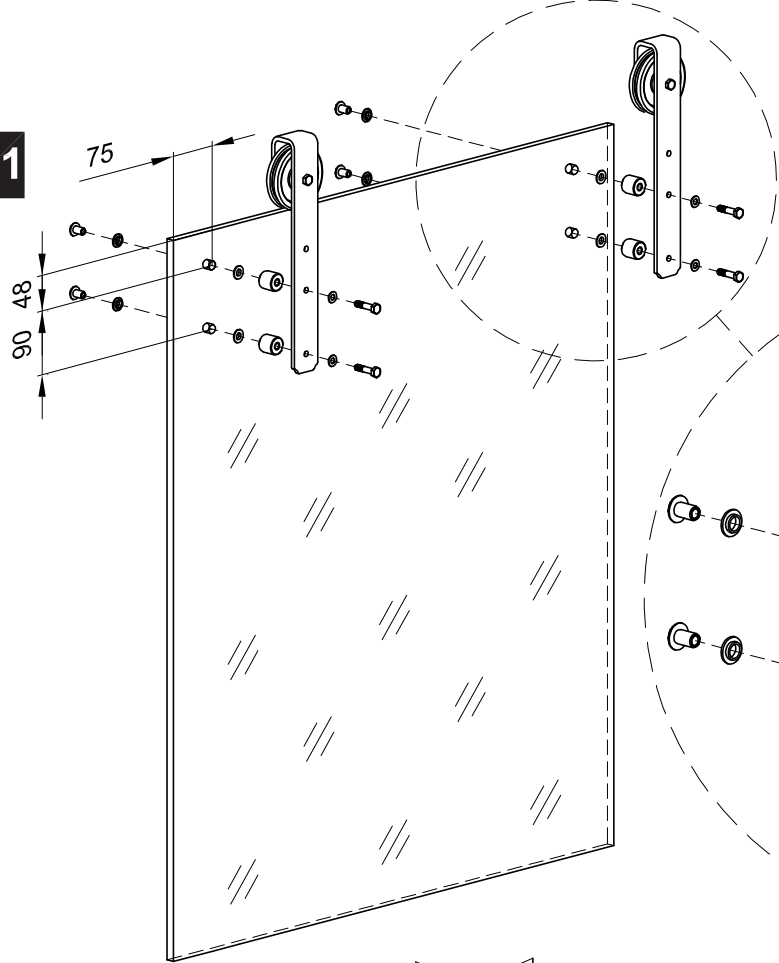
3



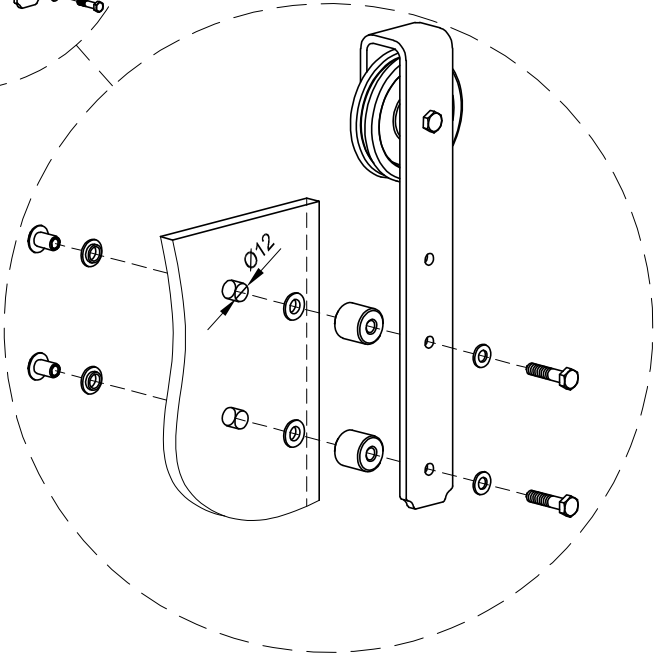
4



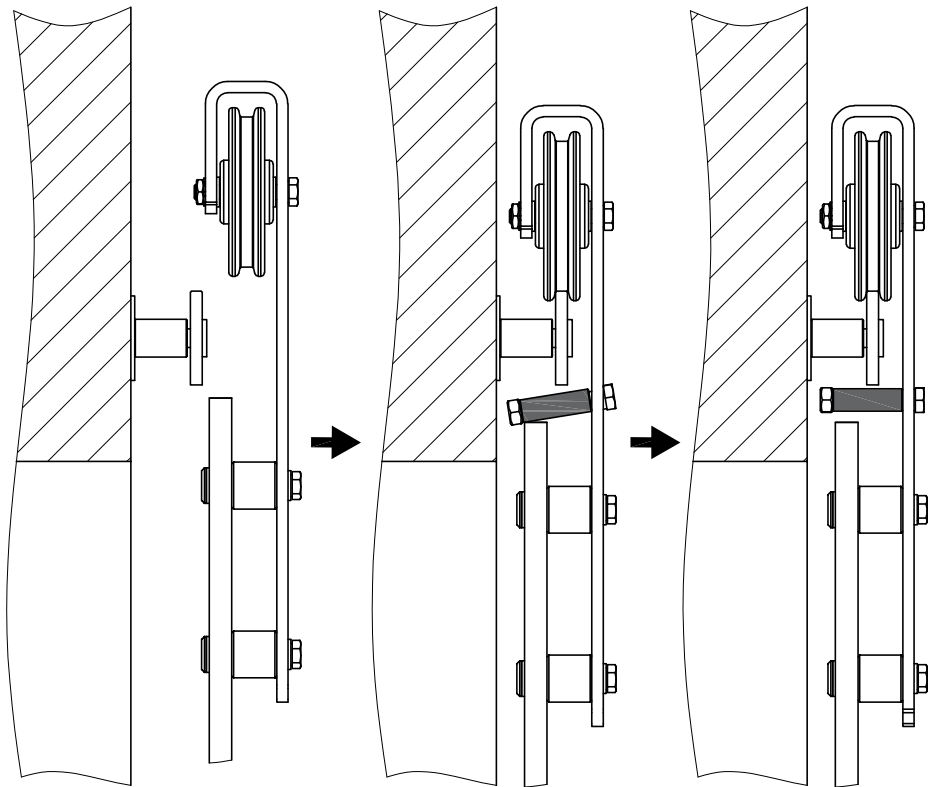
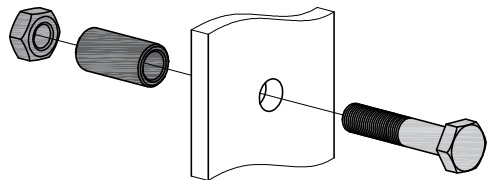
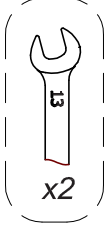
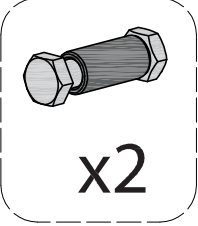
4.1



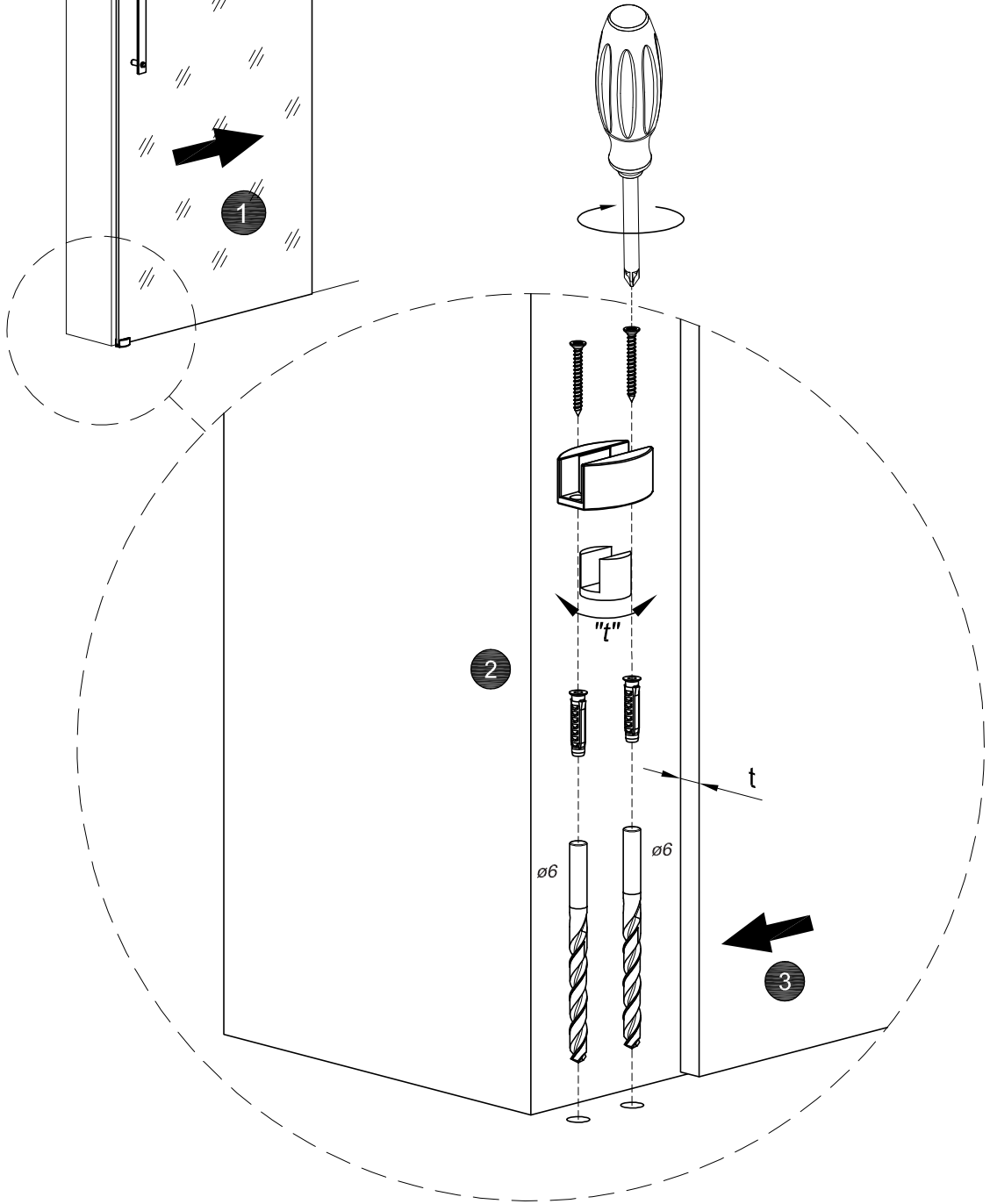
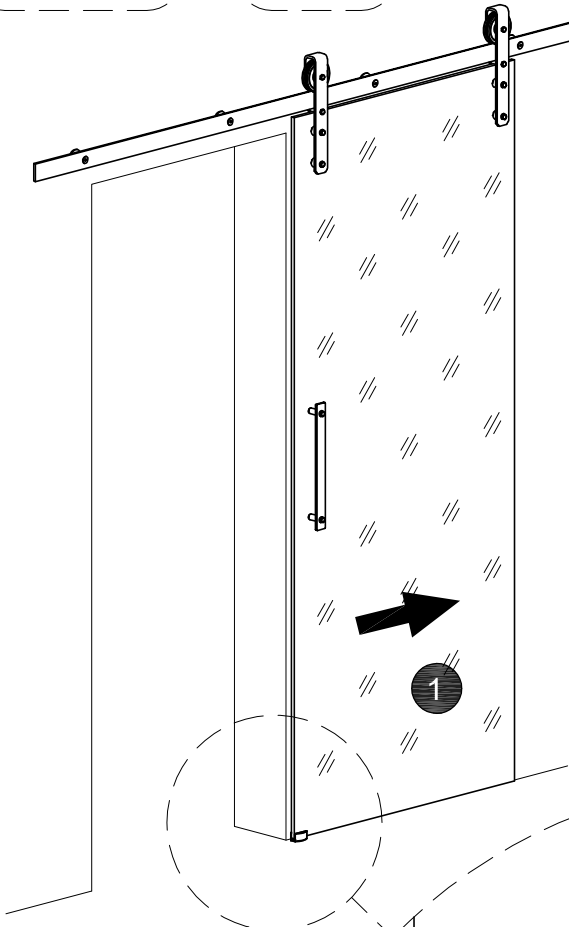
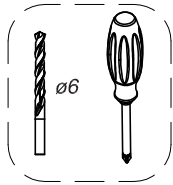
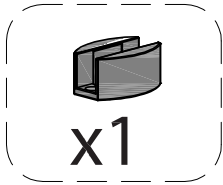
4.2



5

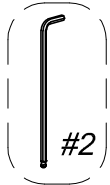
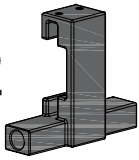


6

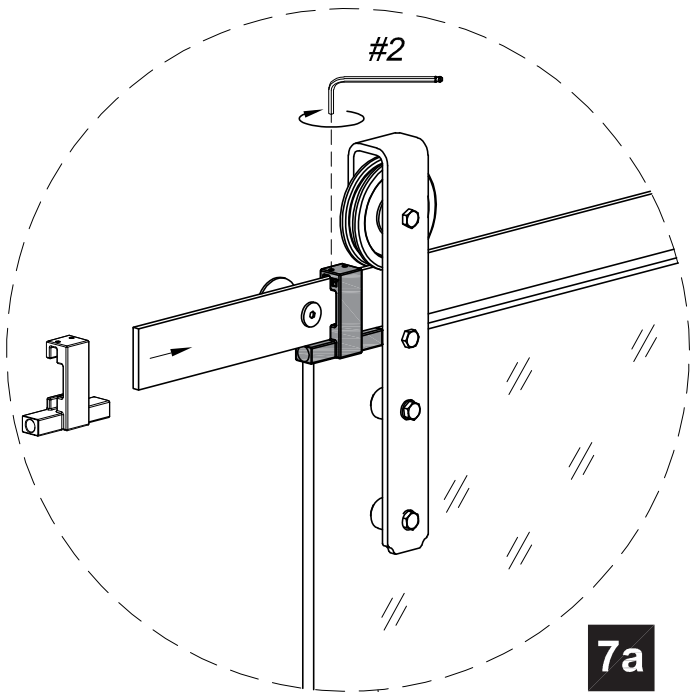
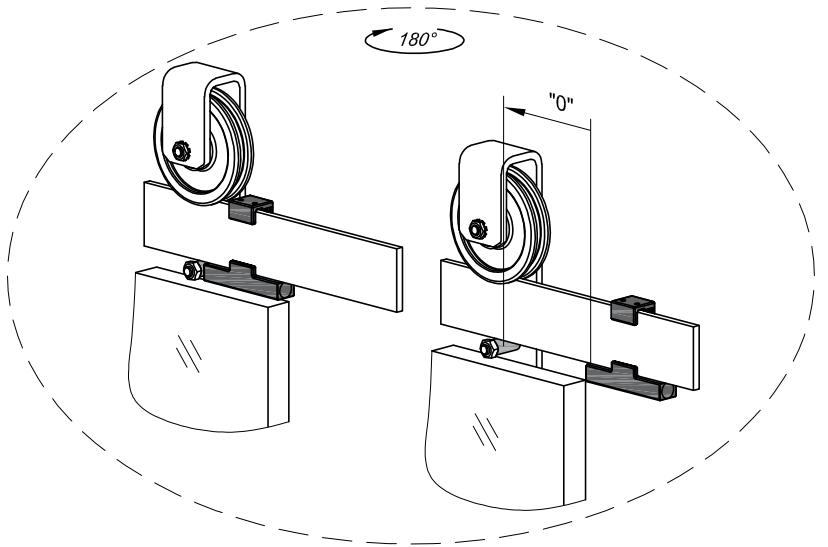


7

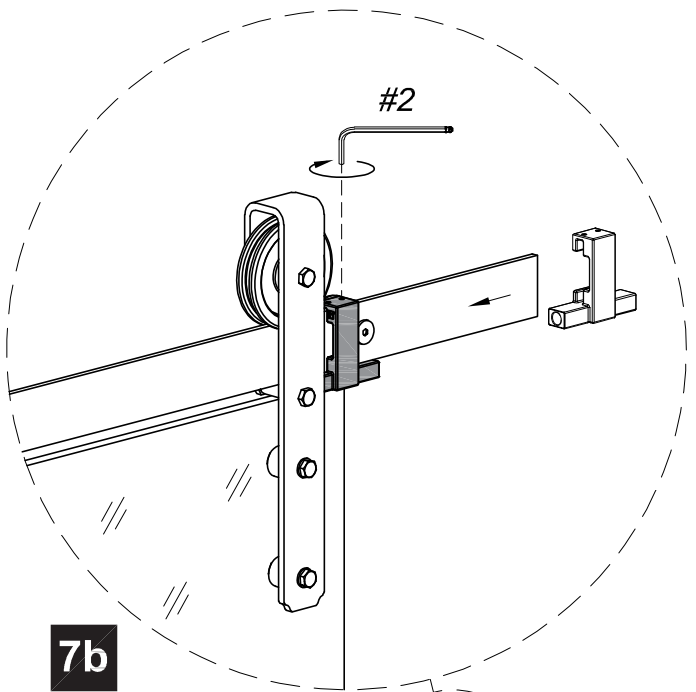
x2



#2



7a



7b

