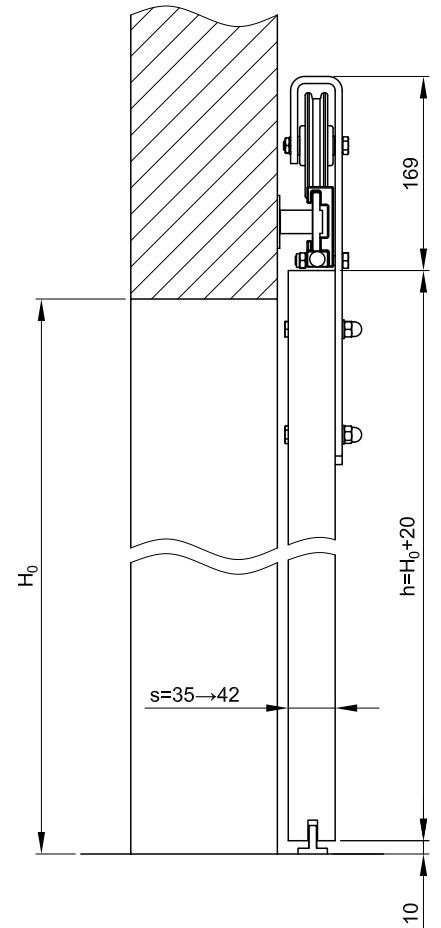
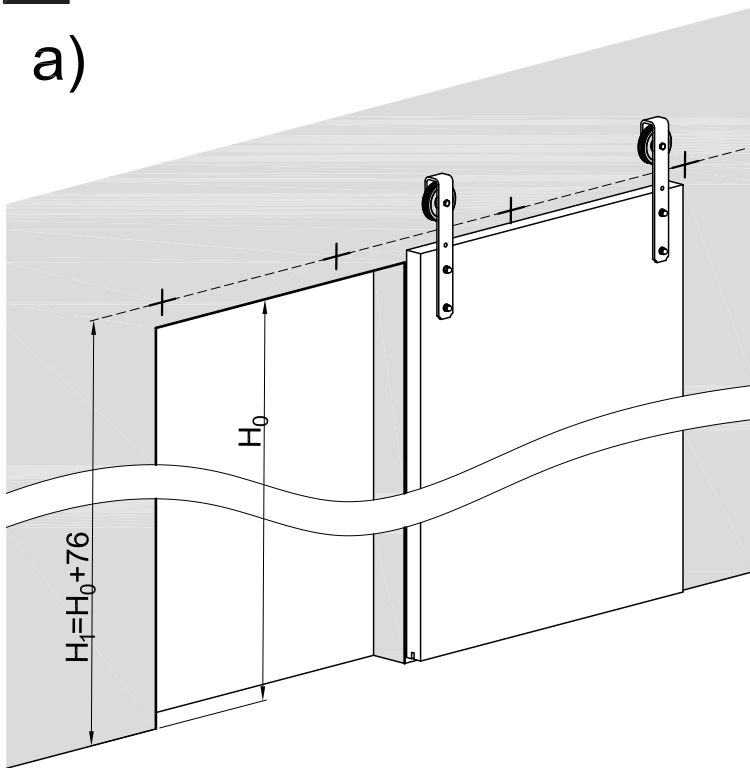
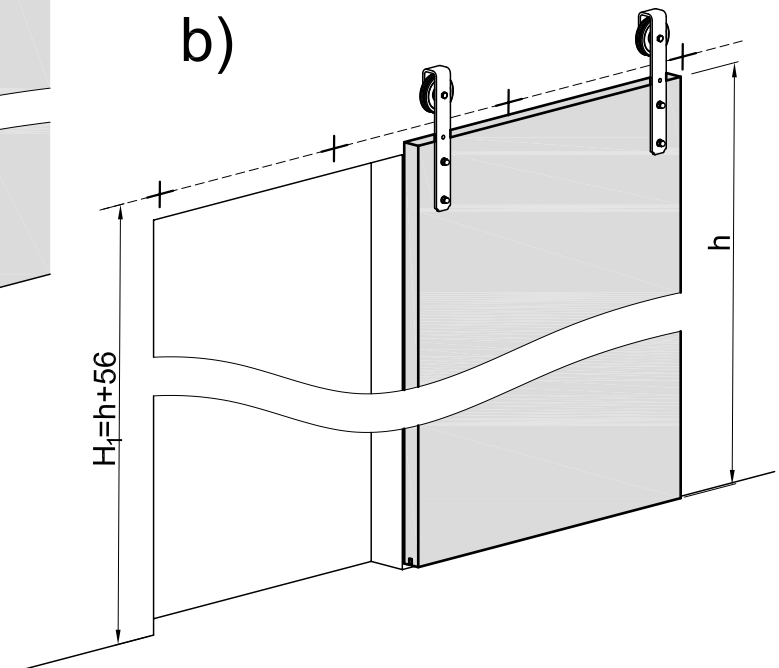


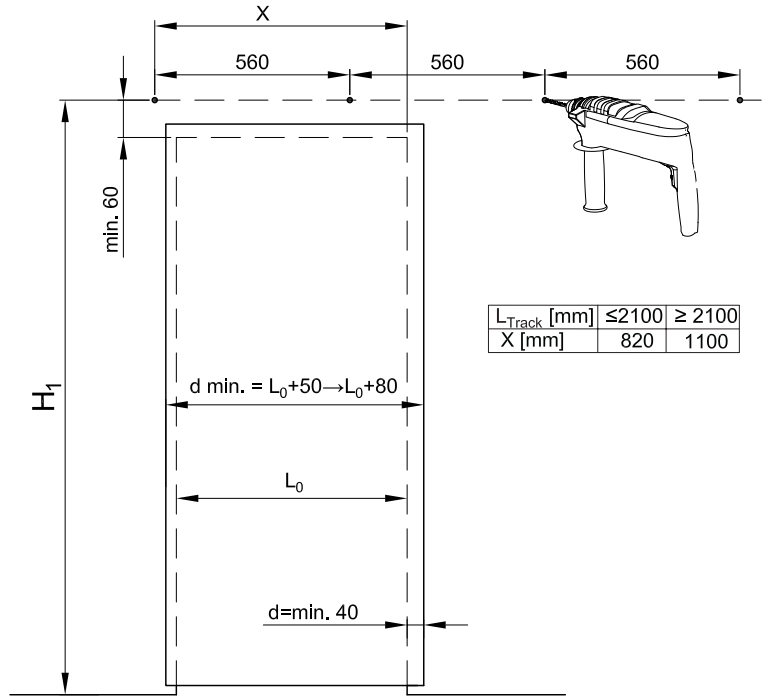
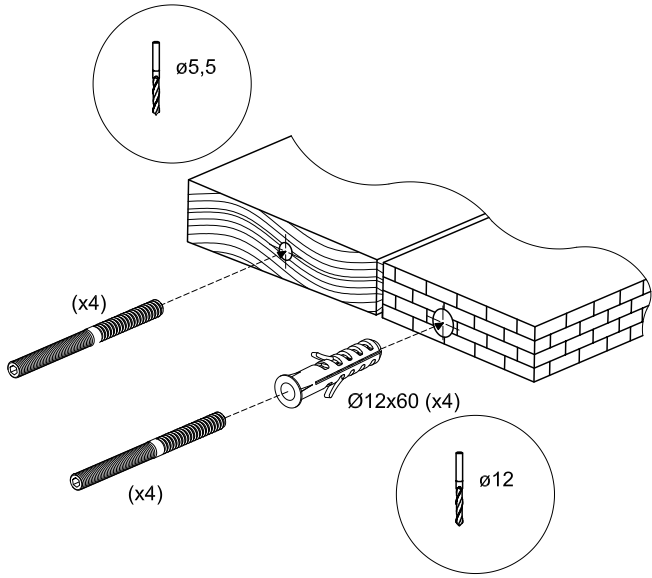
1

a)

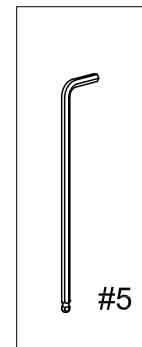
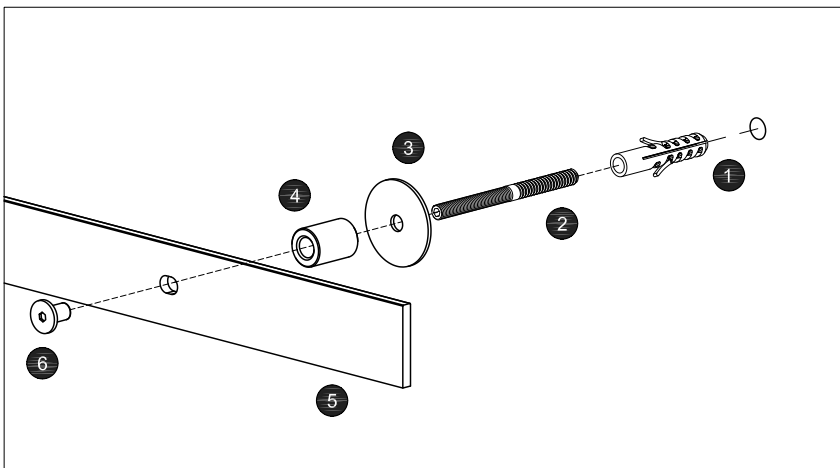
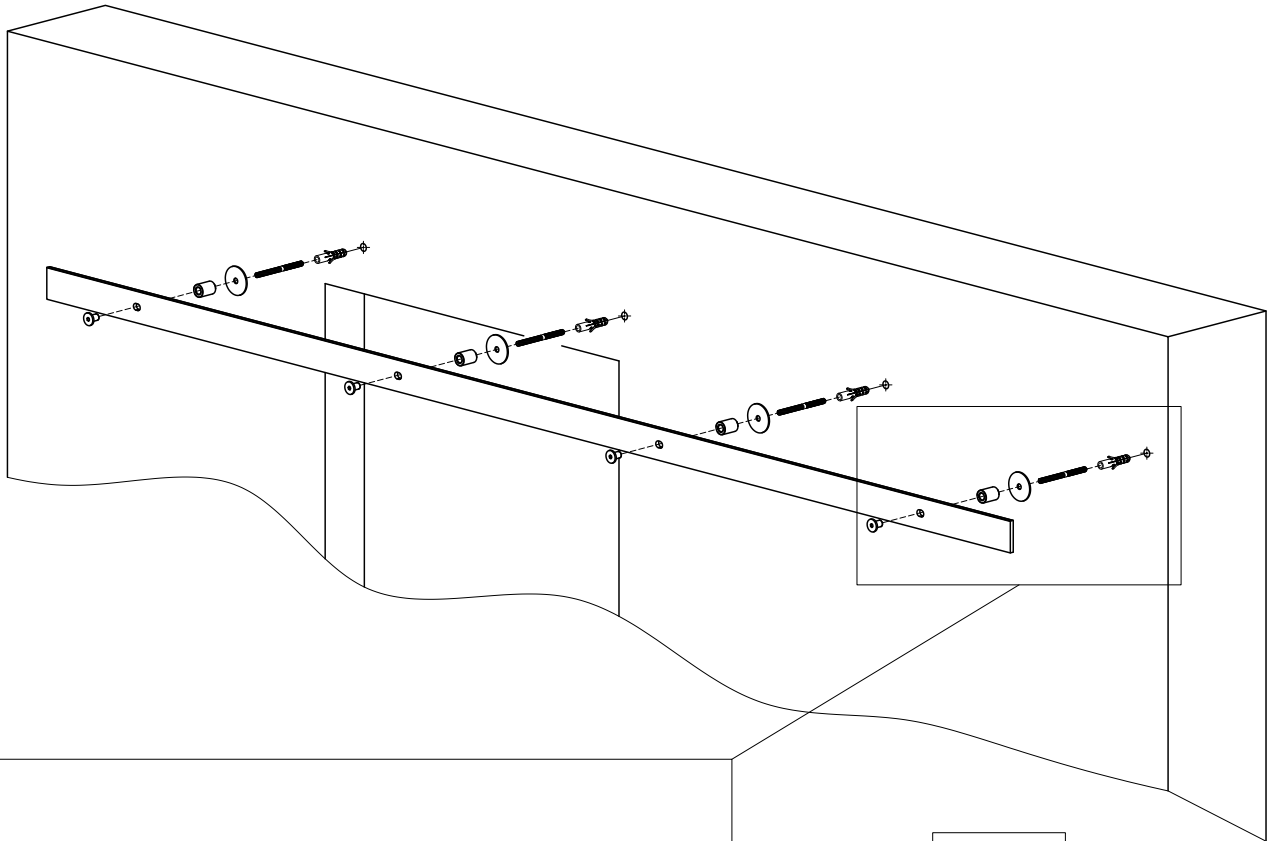


b)





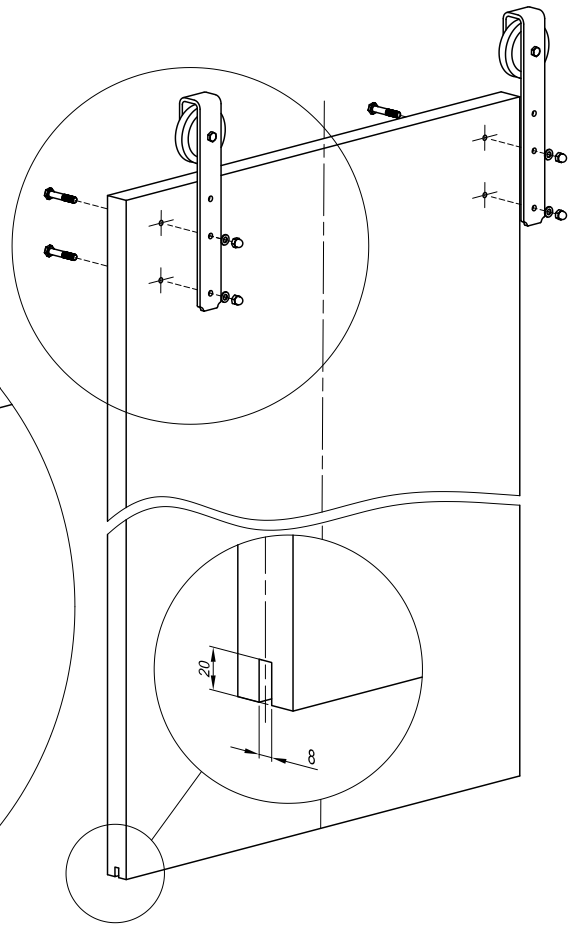
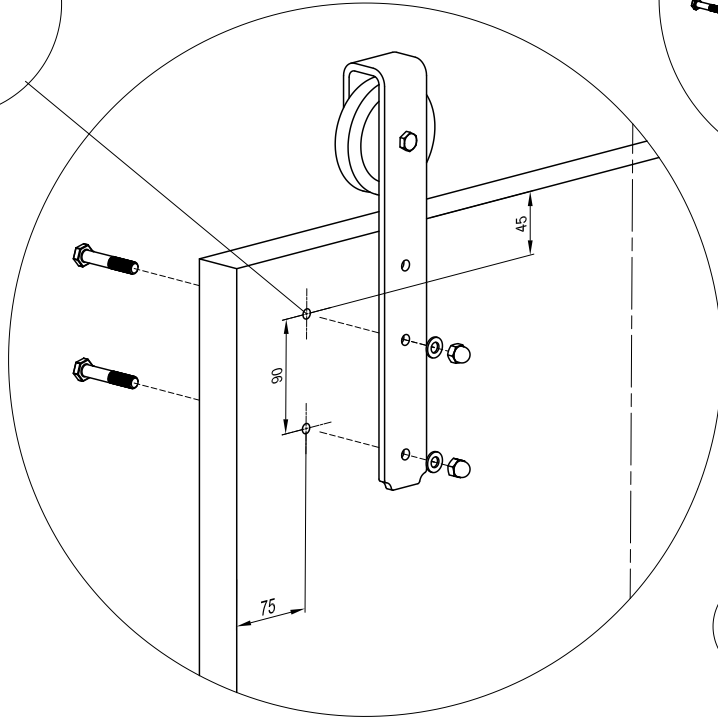
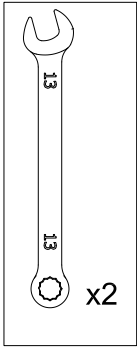
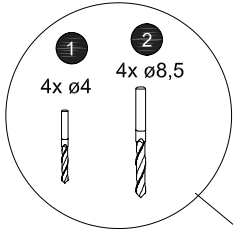
2



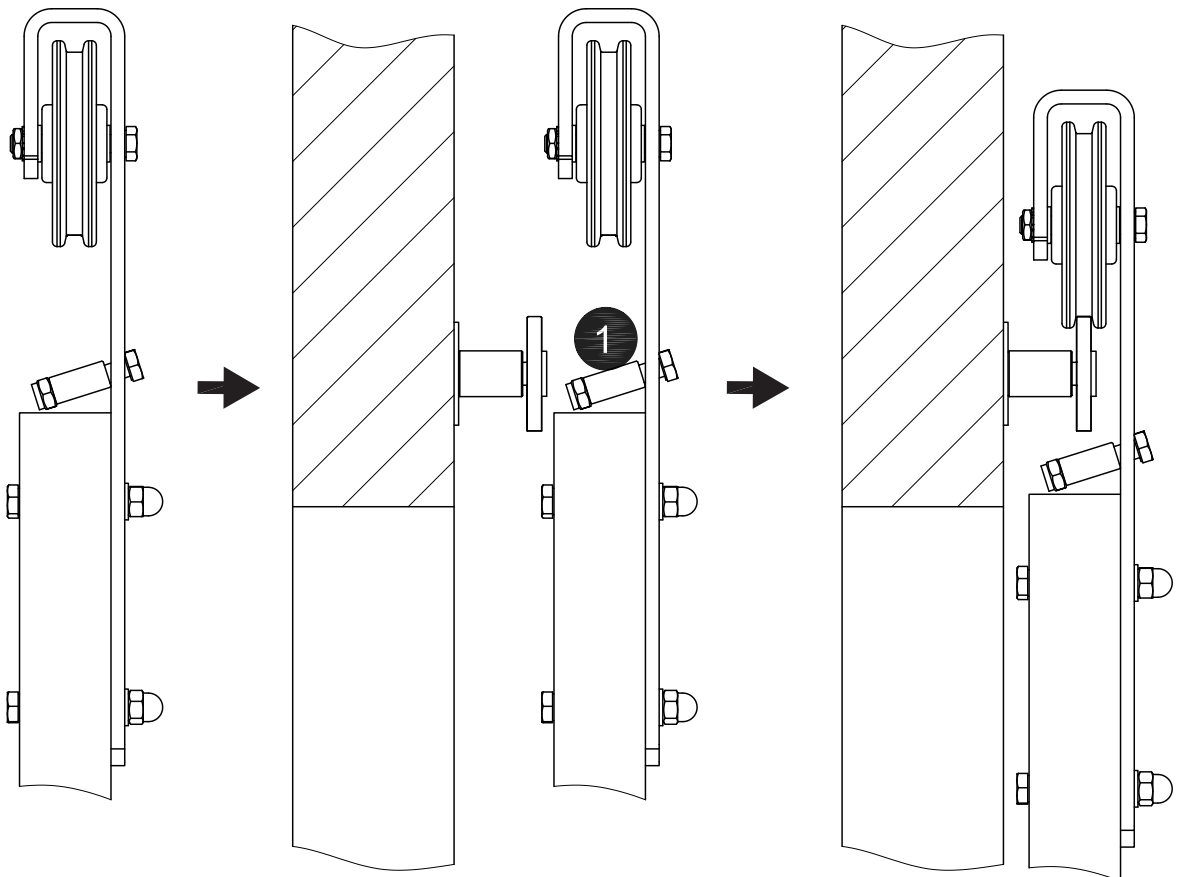
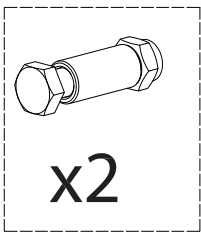
4

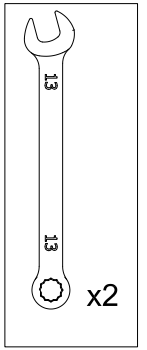
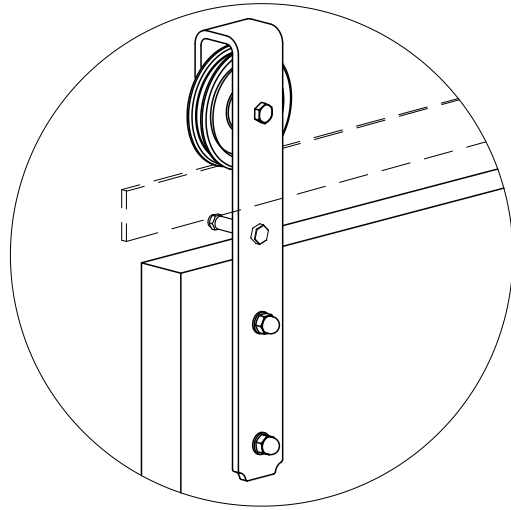
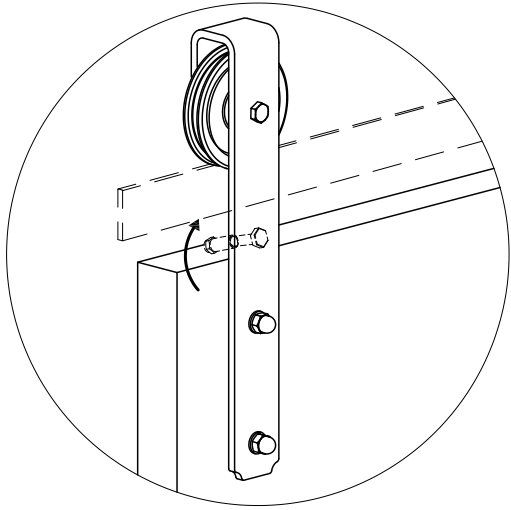


M8x55 s=35→40
M8x60 s=40→42

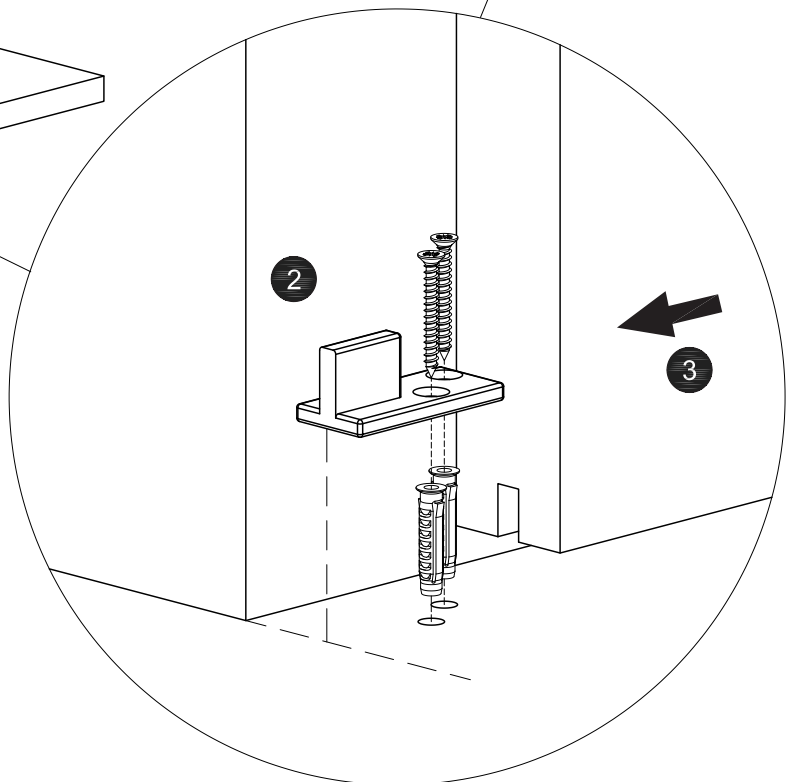
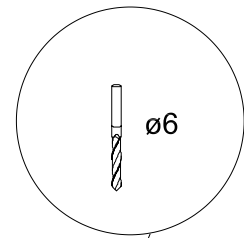
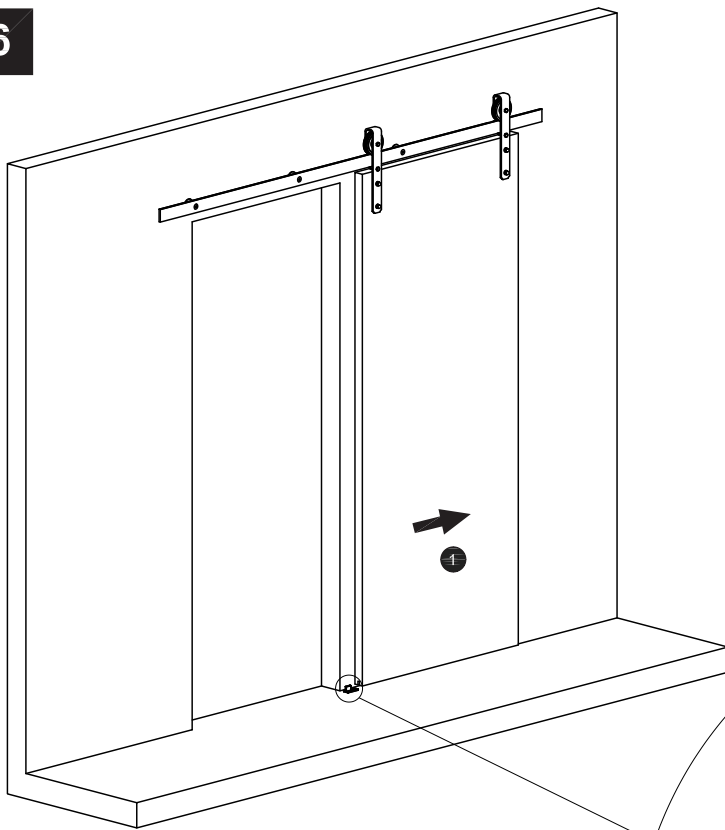


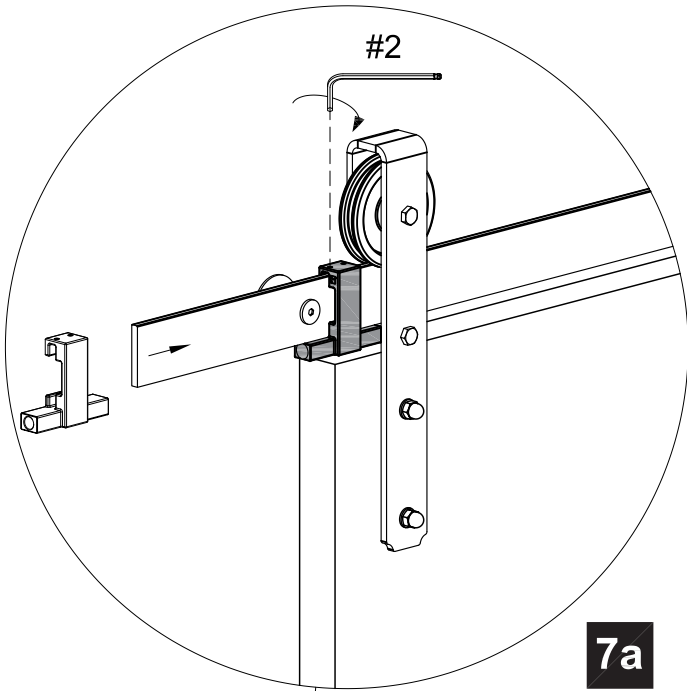
5



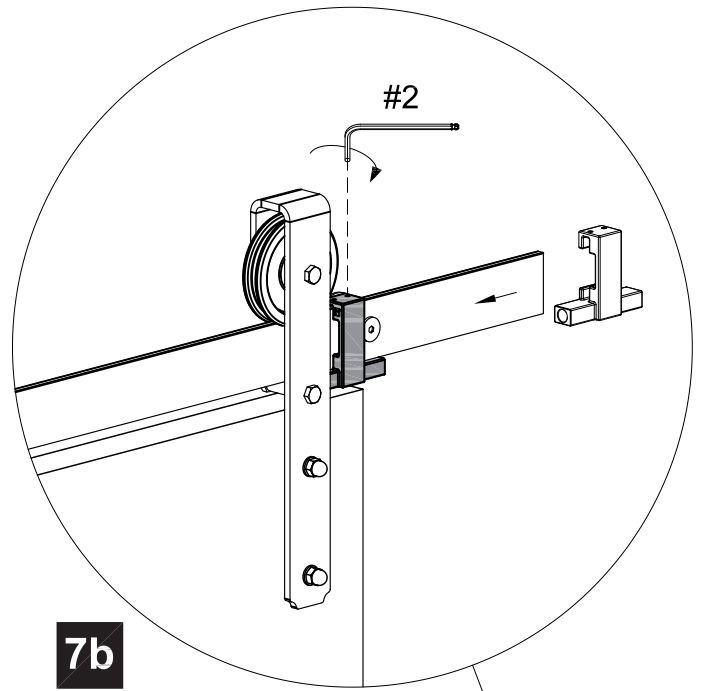


6





7a



7b

7

