

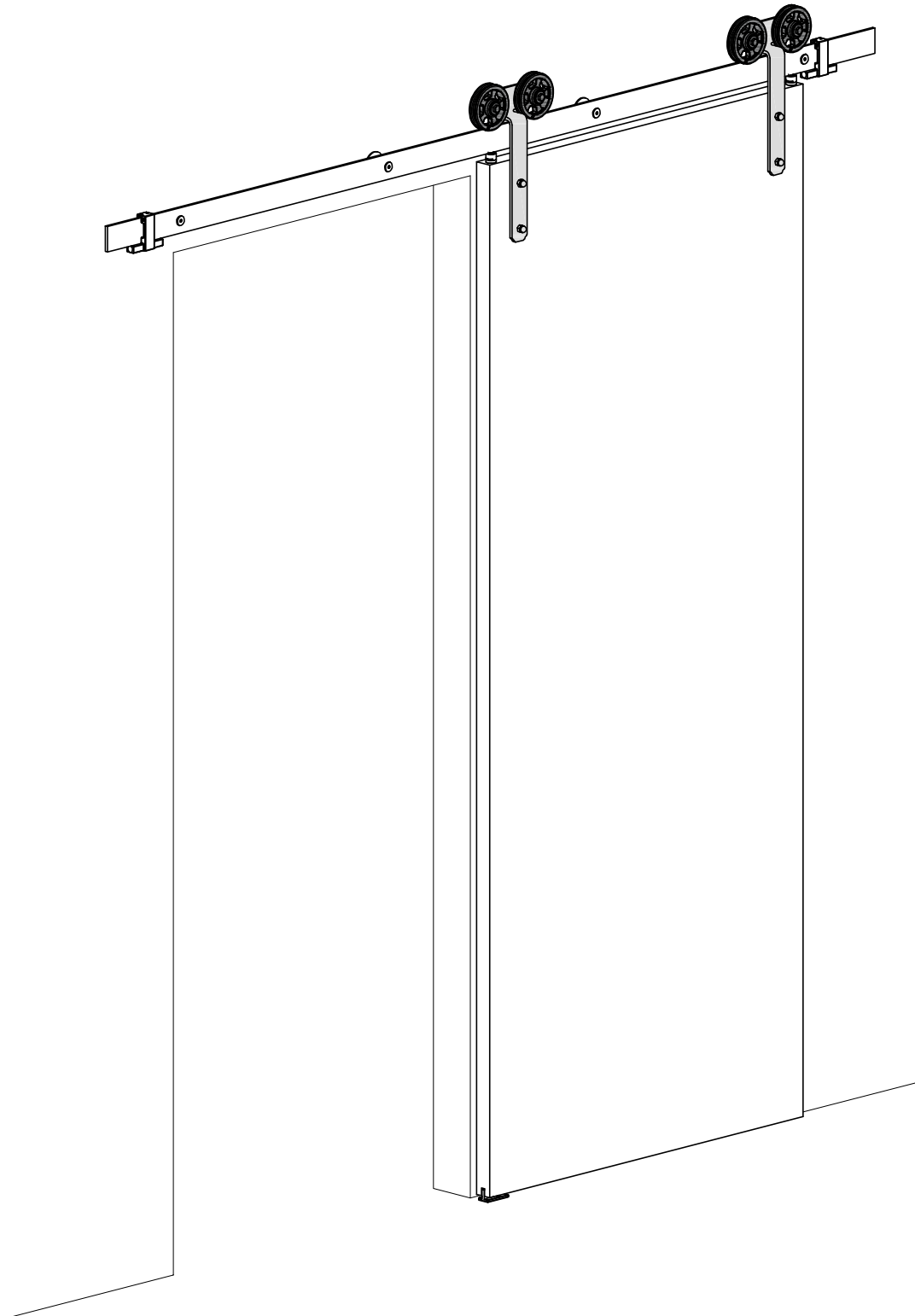
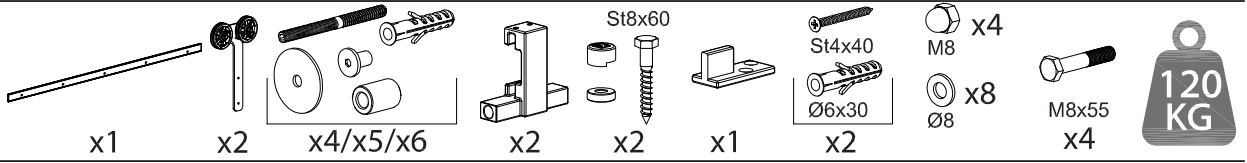


**MANTION POLSKA**

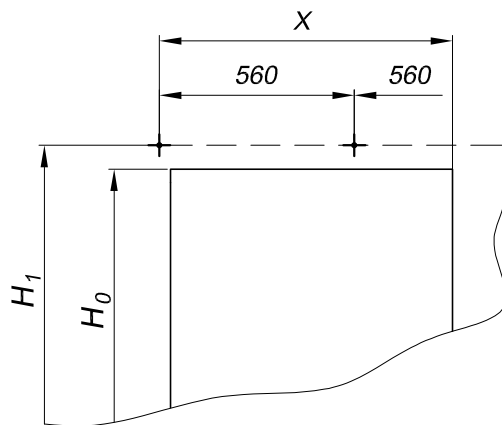
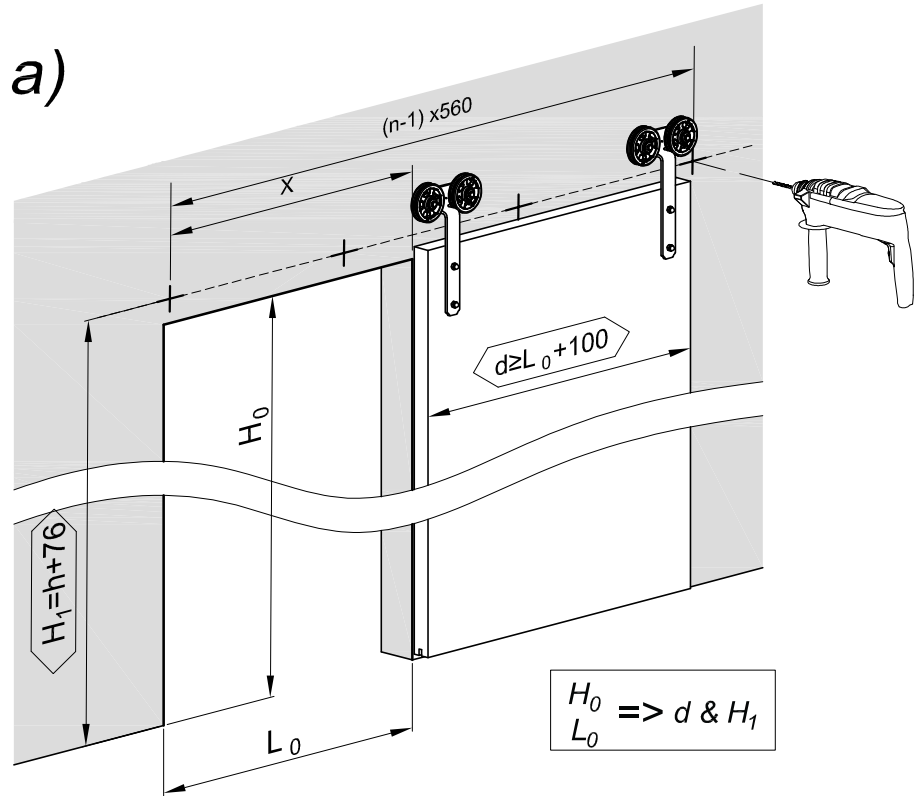
WWW.MANTION.PL

**Loki | ROC DESIGN**

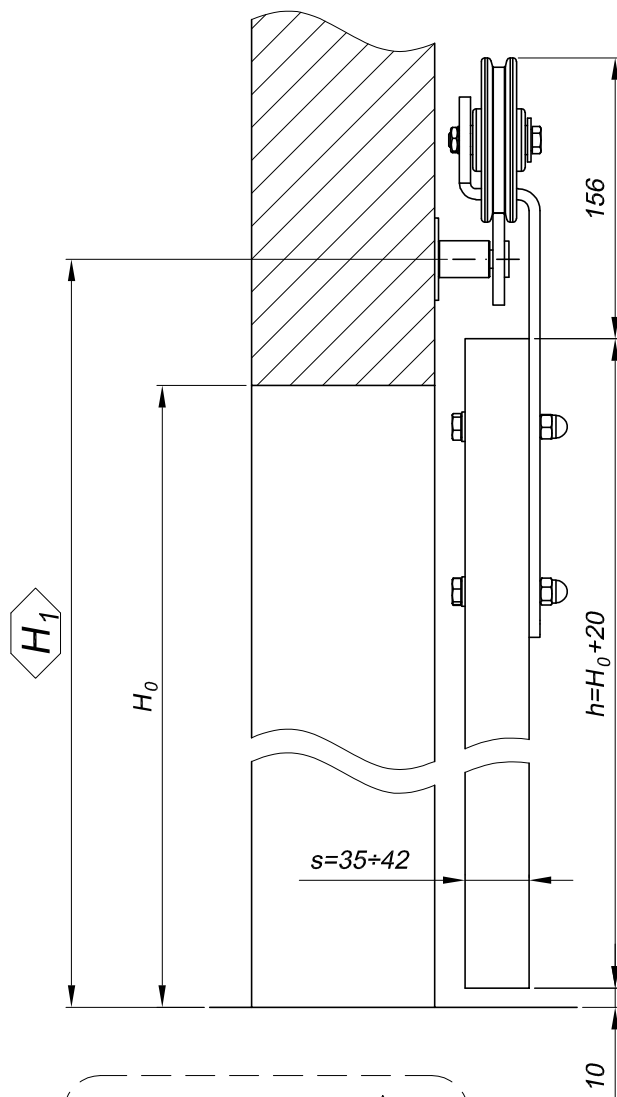
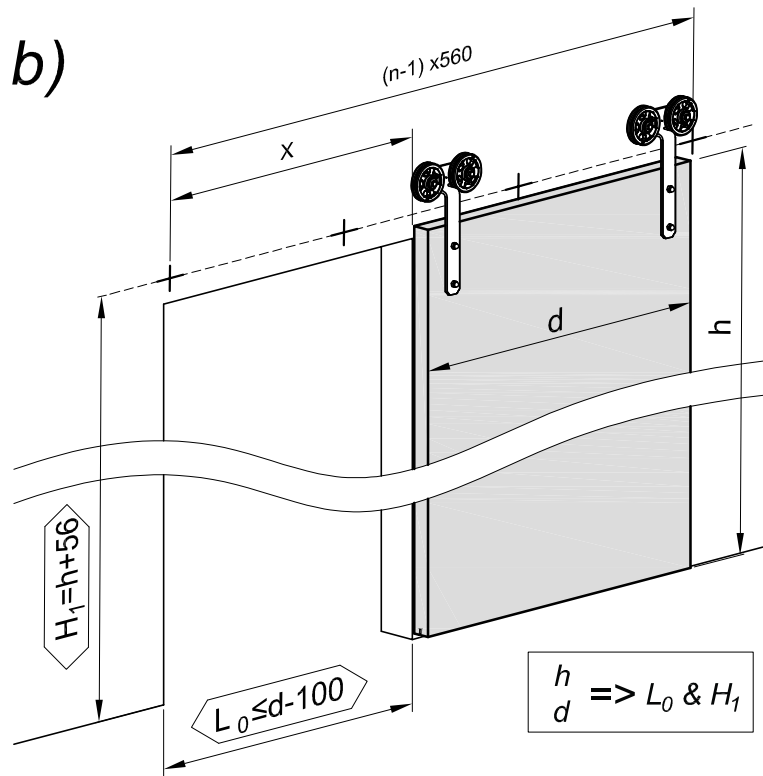
219-332, 219-342, 219-352, 219-362



1



| $L_{Track}$ [mm] | 1950 | 2400 | 3000 |
|------------------|------|------|------|
| $X$ [mm]         | 840  | 1120 | 1400 |
| $n$ [szt]        | 4    | 5    | 6    |

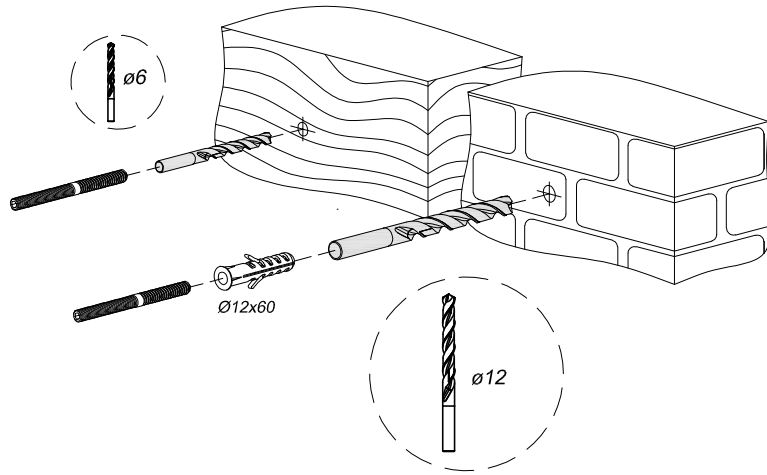
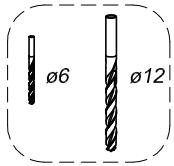


216-110  
216-111

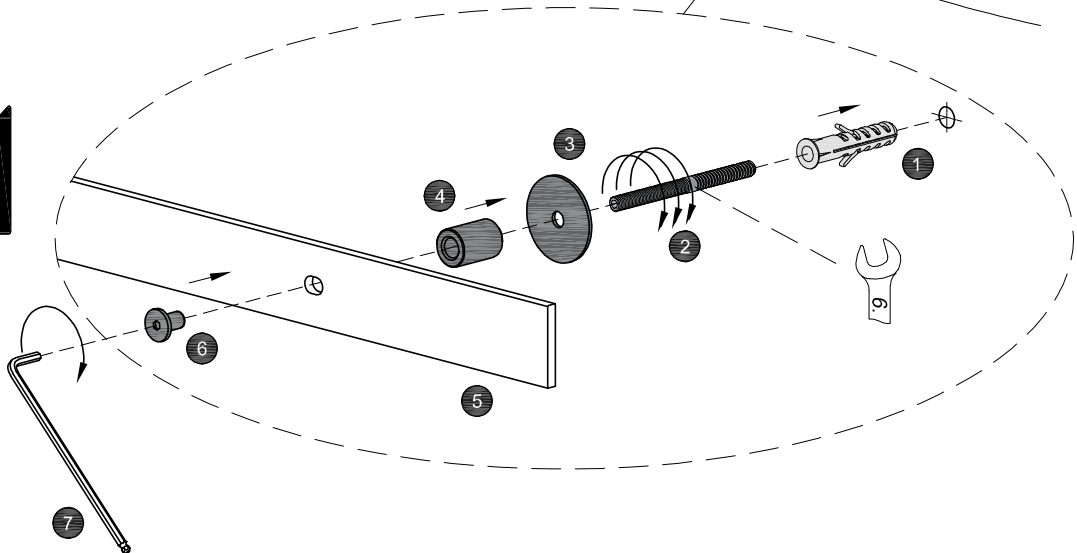
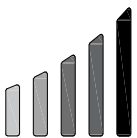
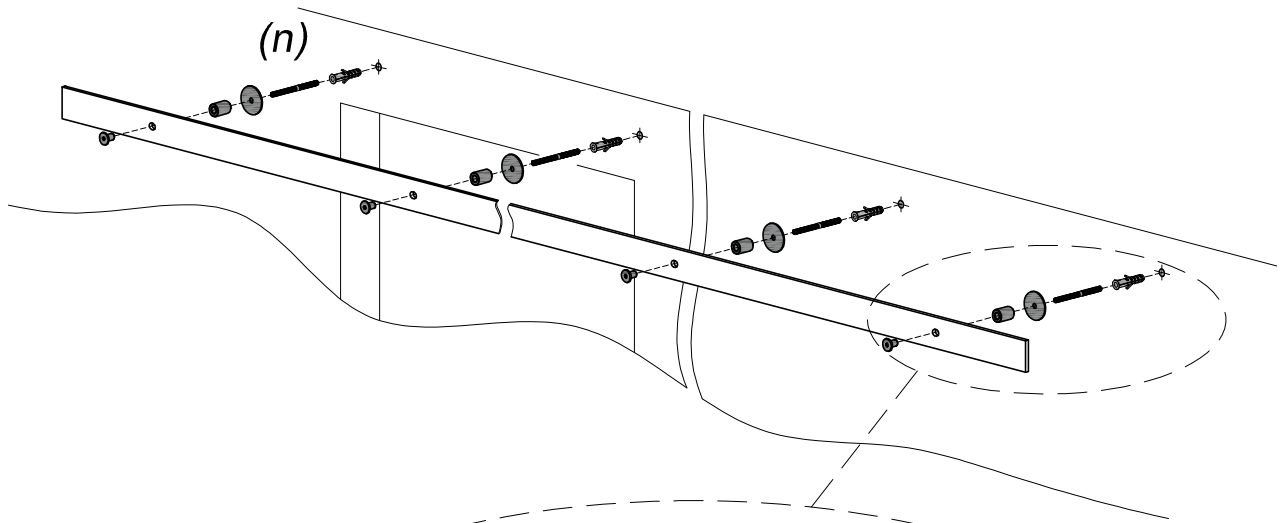
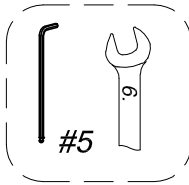
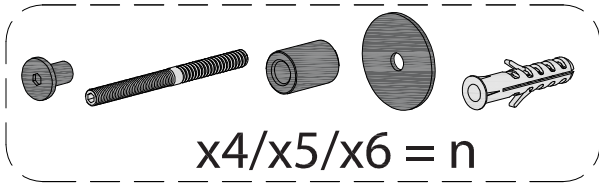
$H_1 = H_0 + 81$   
 $H_1 = h + 61$



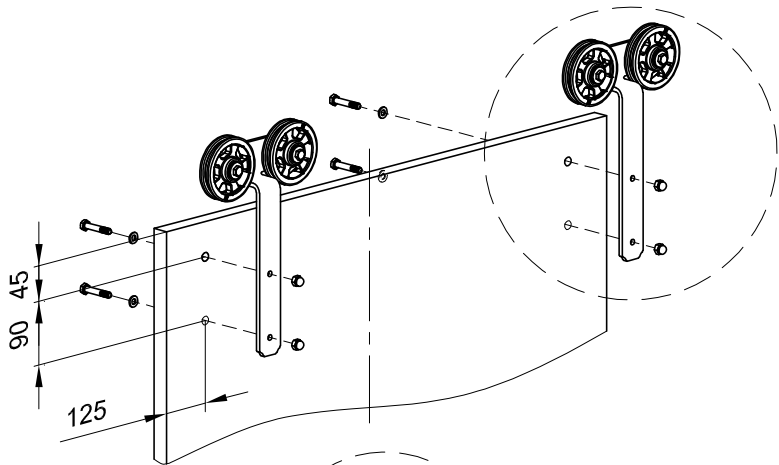
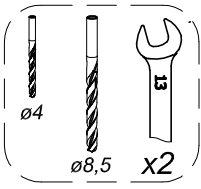
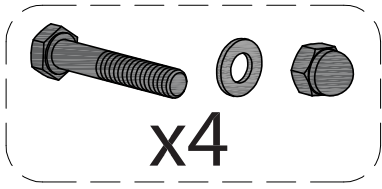
2



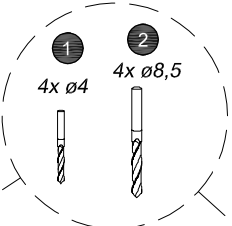
3



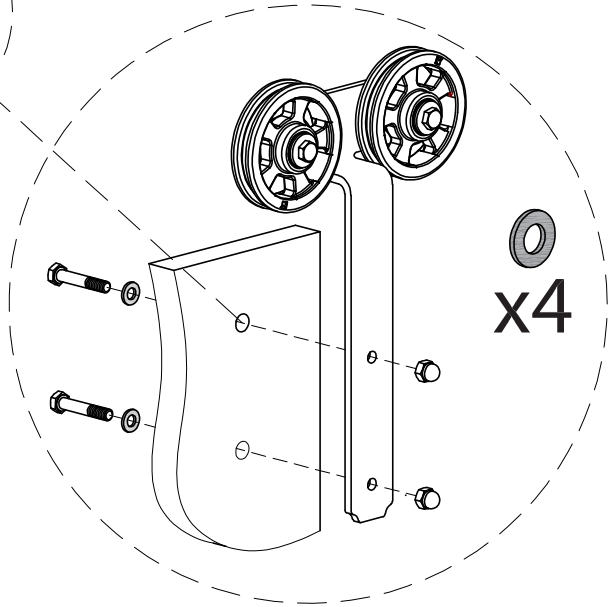
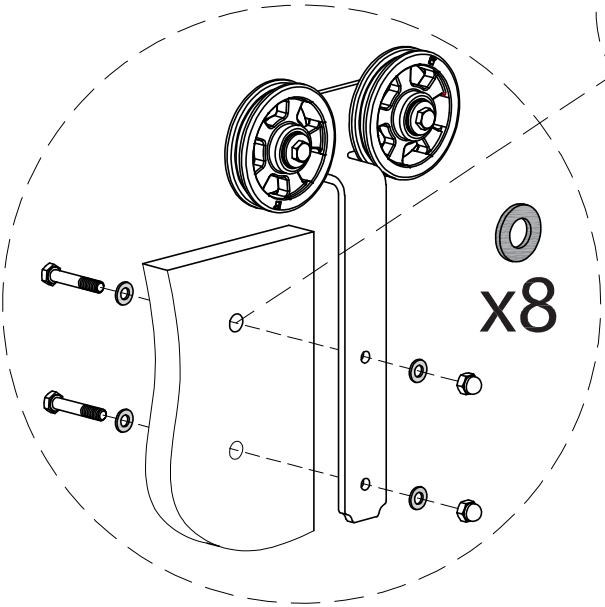
4



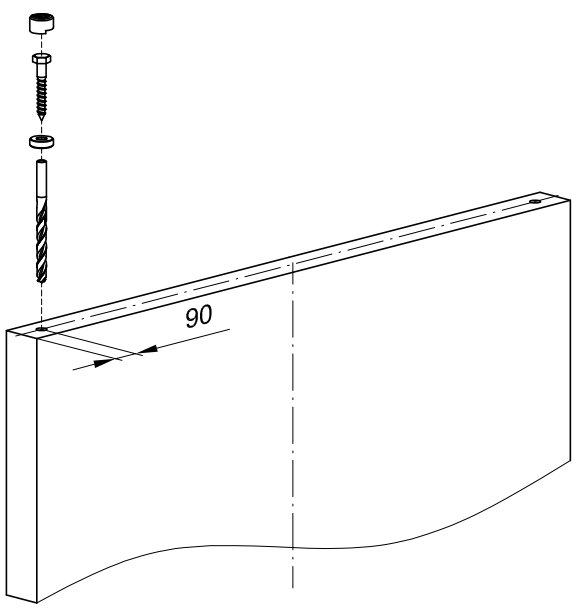
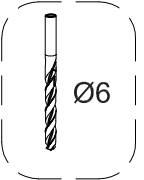
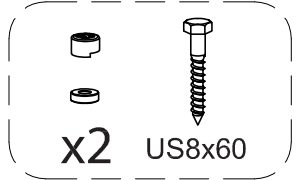
! 35 < s < 38



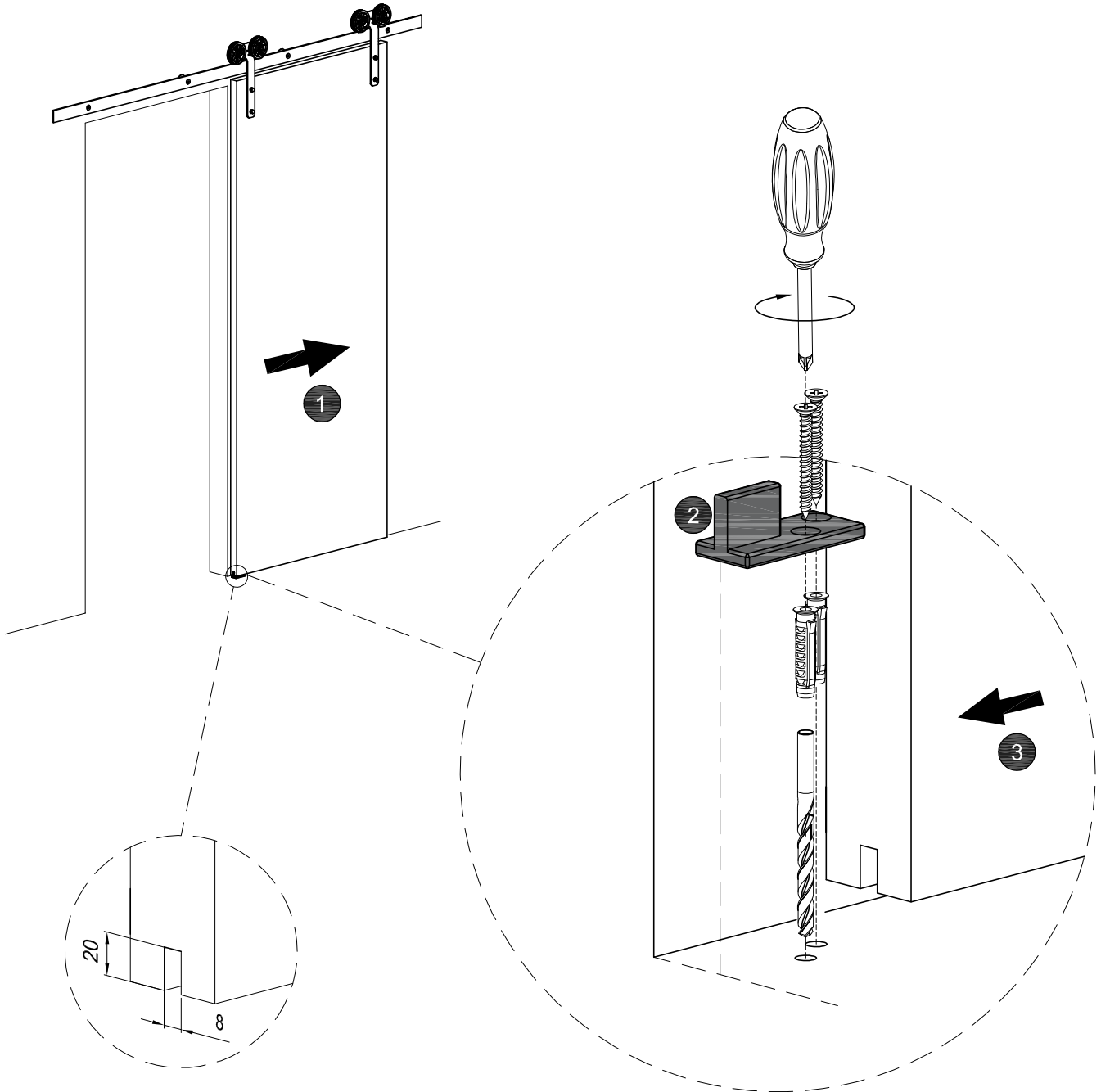
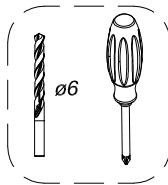
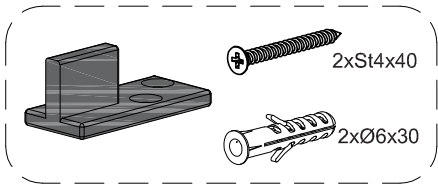
38 ≤ s < 42



5



6



7

