

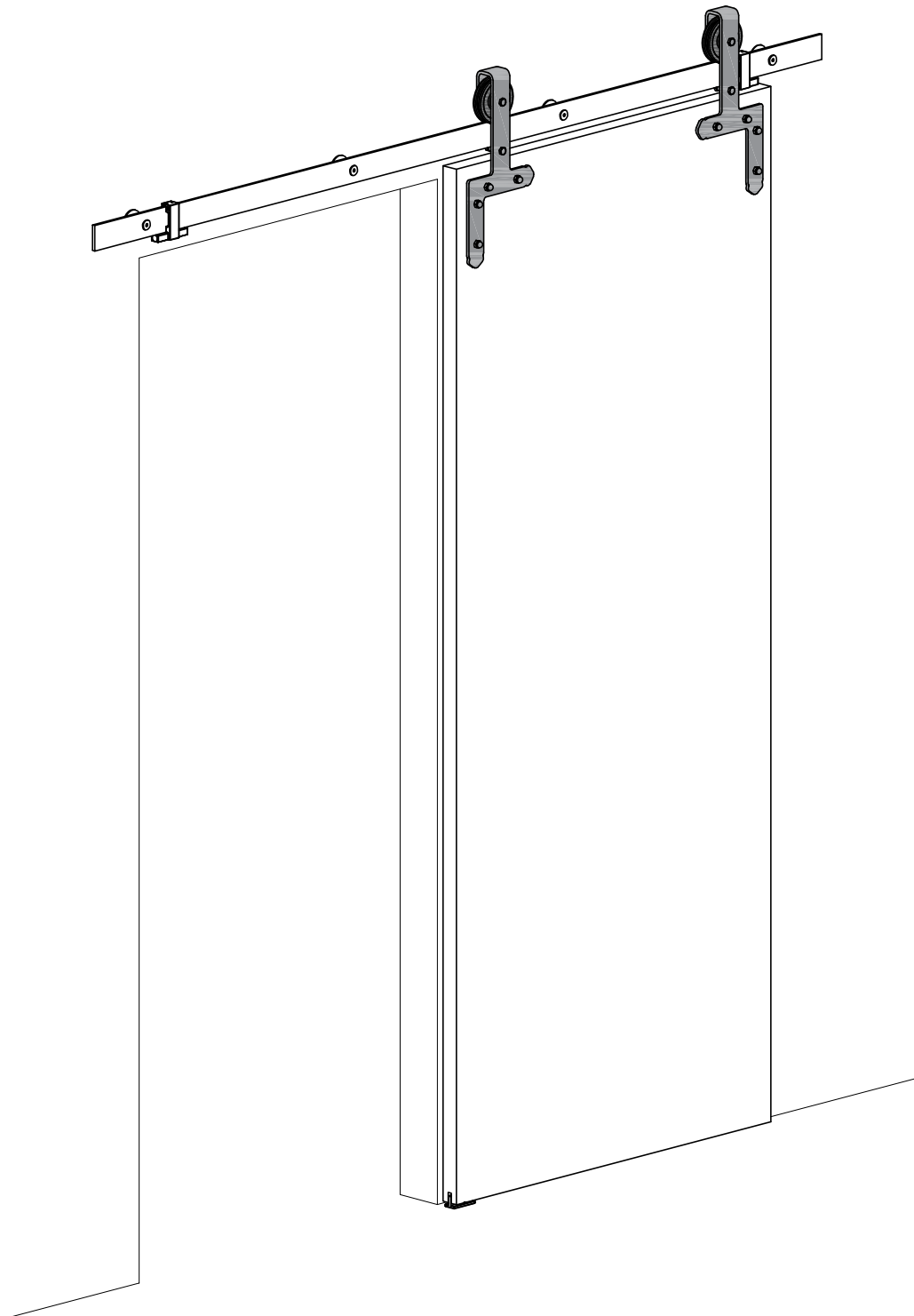
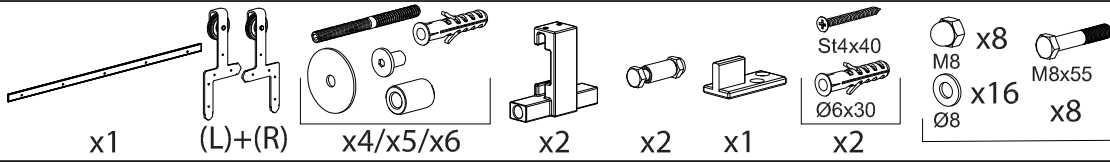


MANTION POLSKA

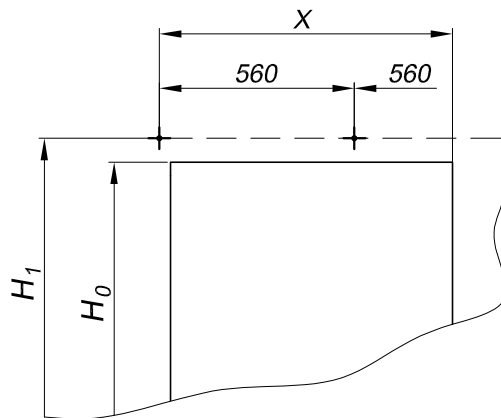
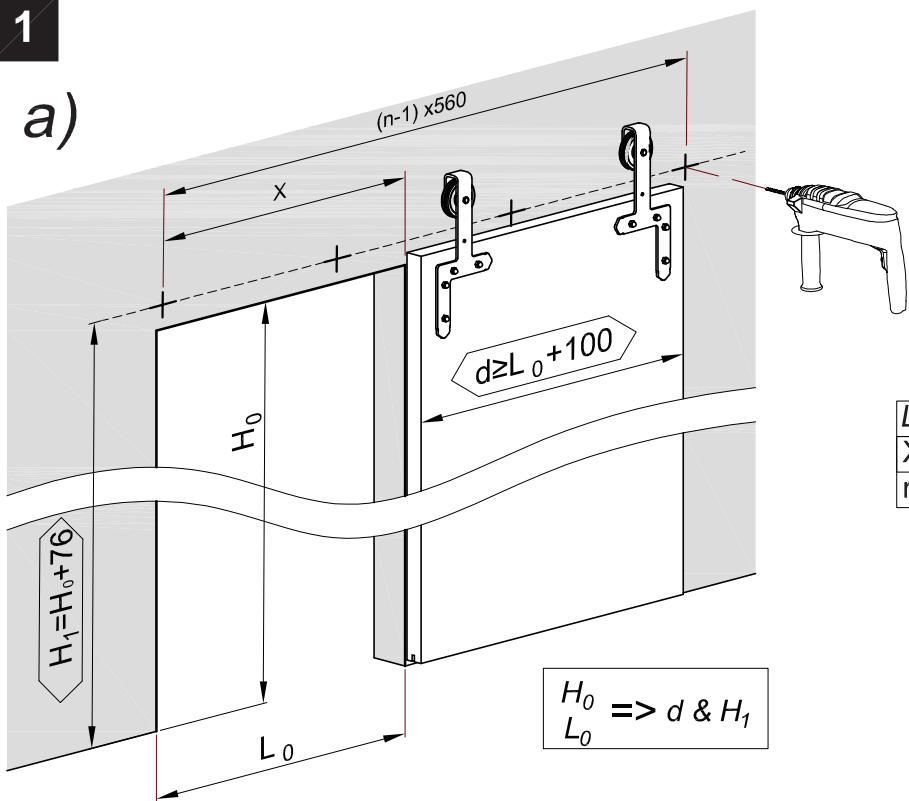
WWW.MANTION.PL

Idun | ROC DESIGN

219-250, 219-251, 219-252, 219-253, 219-254
219-324, 219-334, 291-344, 291-354, 219-364

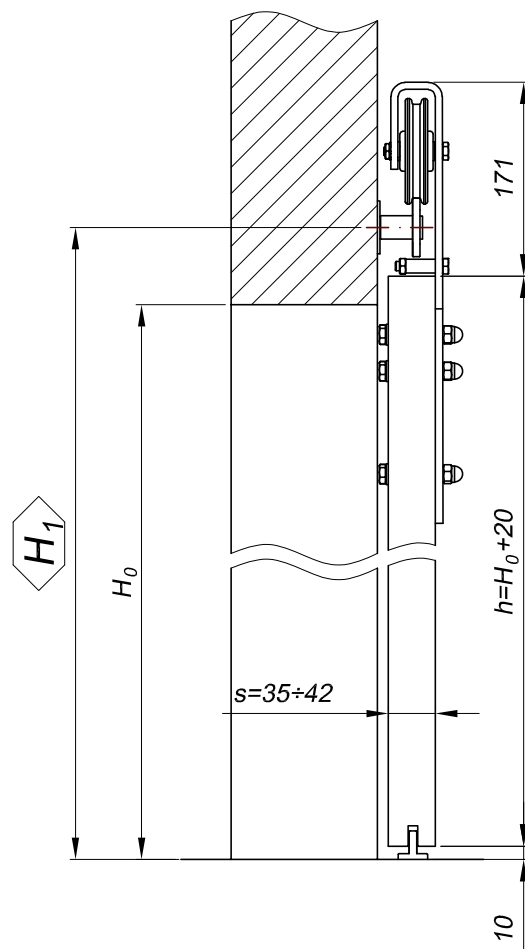
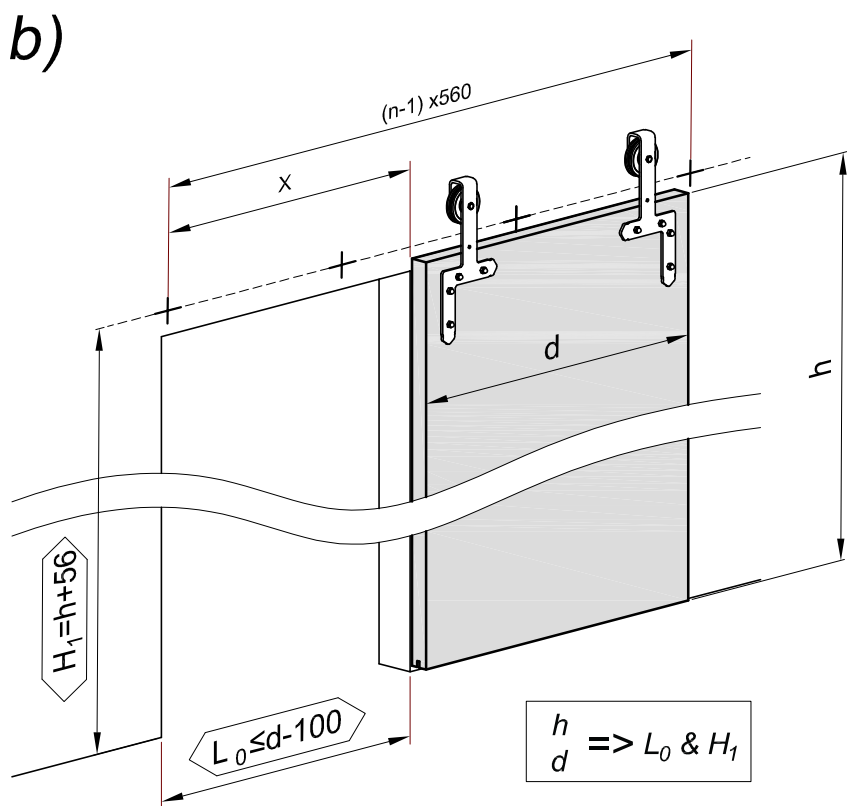


1



L_{Track} [mm]	1950	2400	3000
X [mm]	840	1120	1400
n [szt]	4	5	6

$H_0 \Rightarrow d \ \& \ H_1$
 L_0

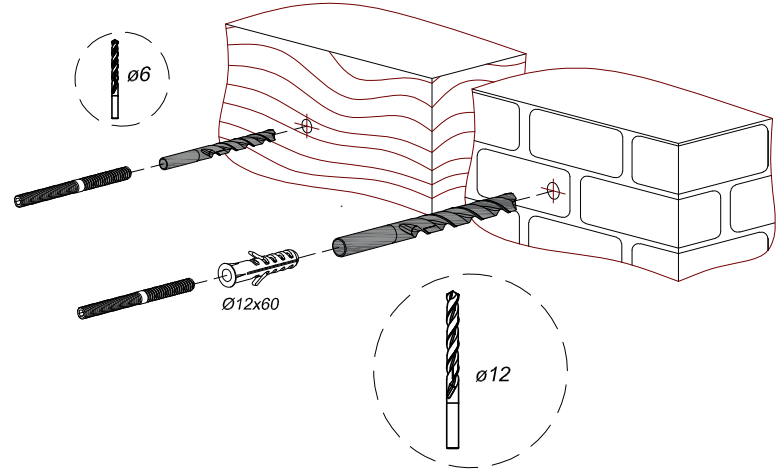
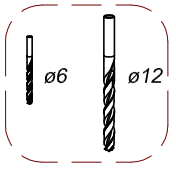


216-110
 216-111

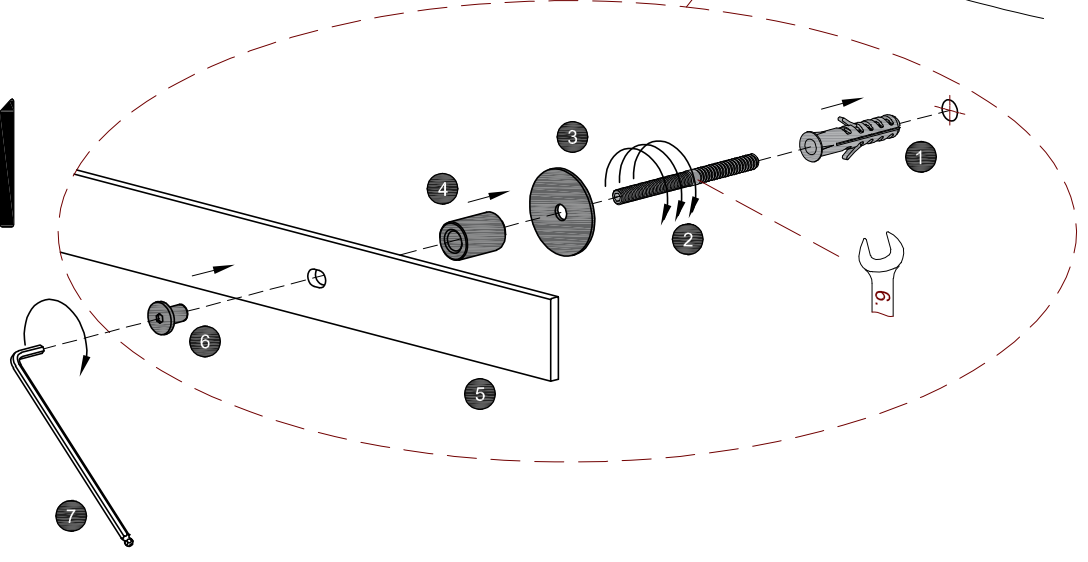
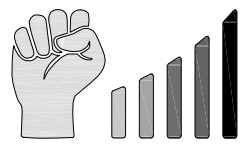
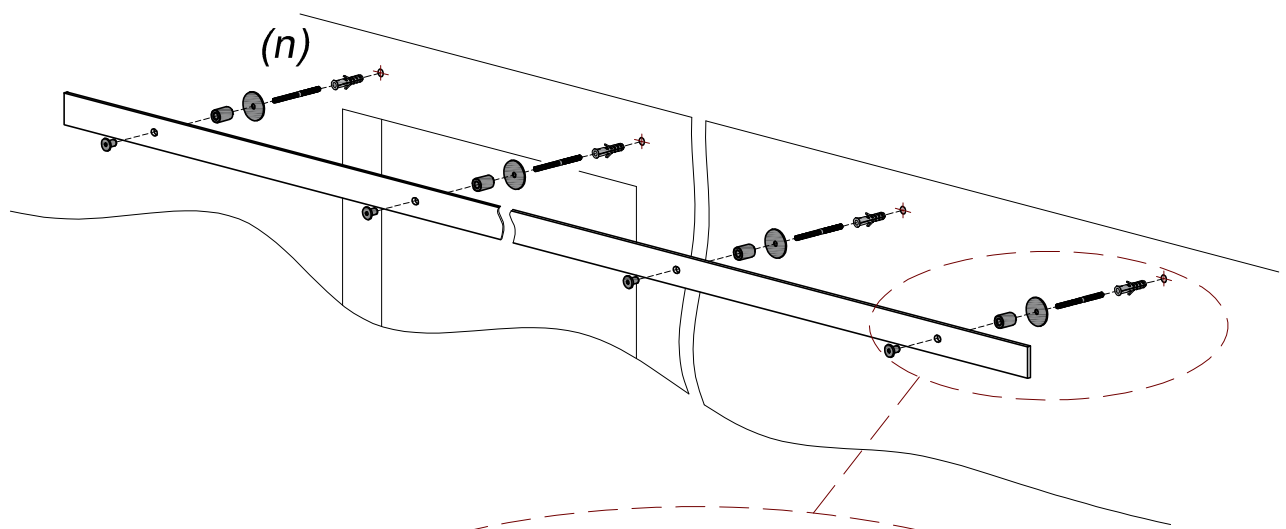
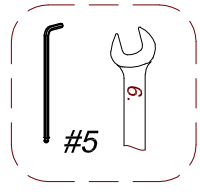
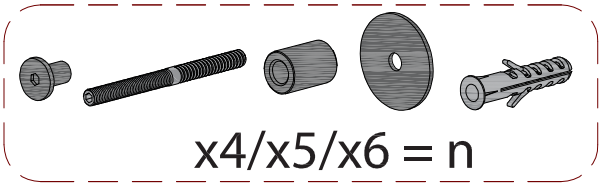
$H_1 = H_0 + 81$
 $H_1 = h + 61$



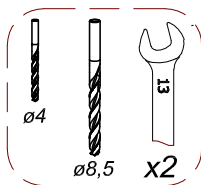
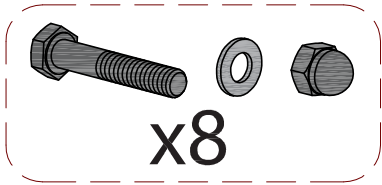
2



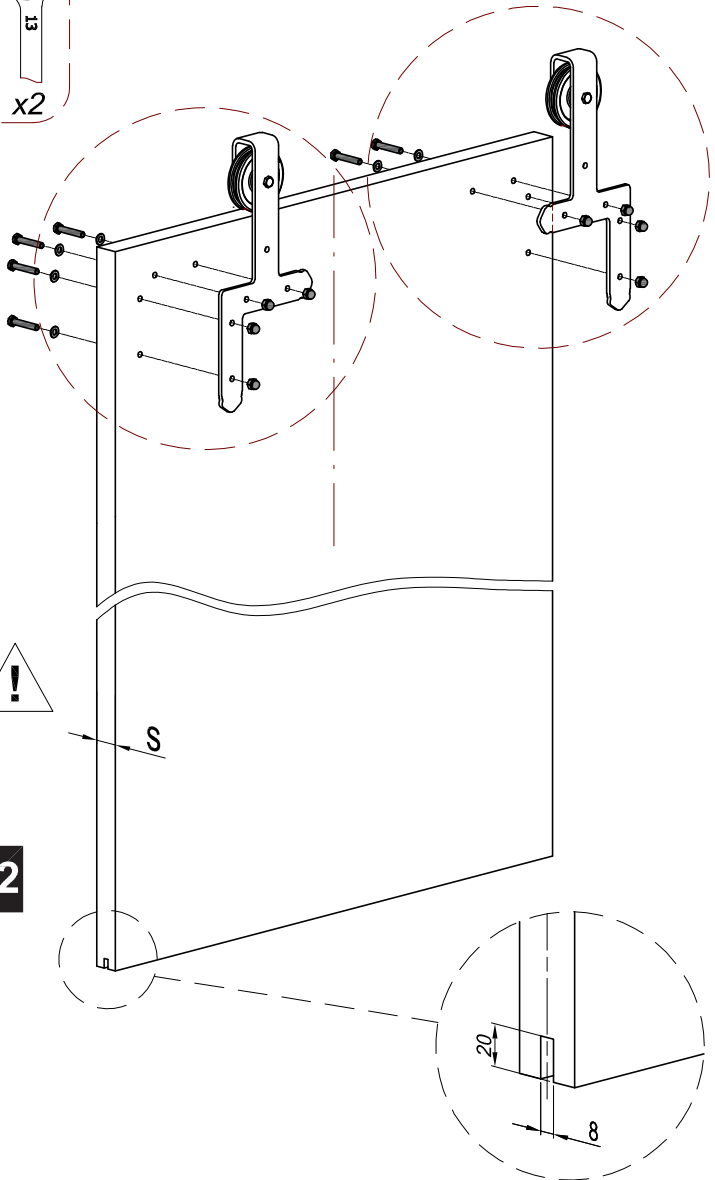
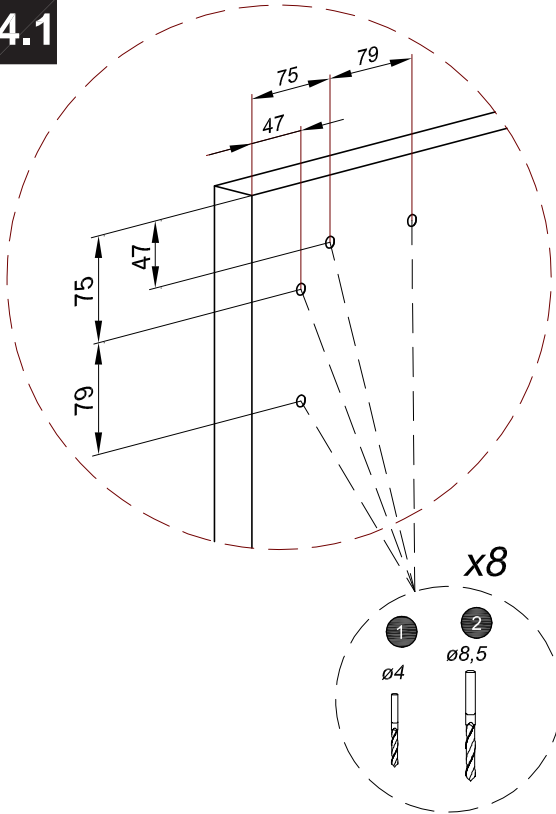
3



4



4.1

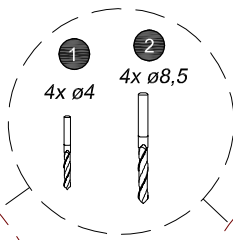


4.2

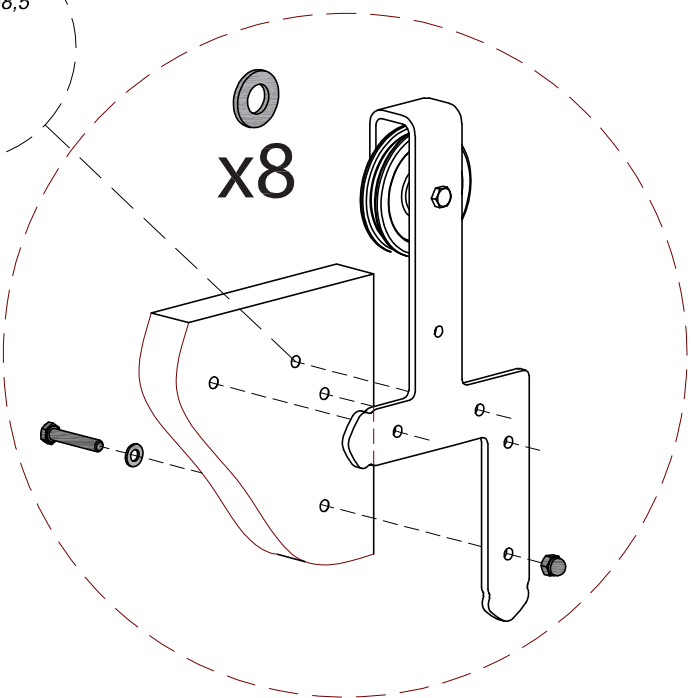
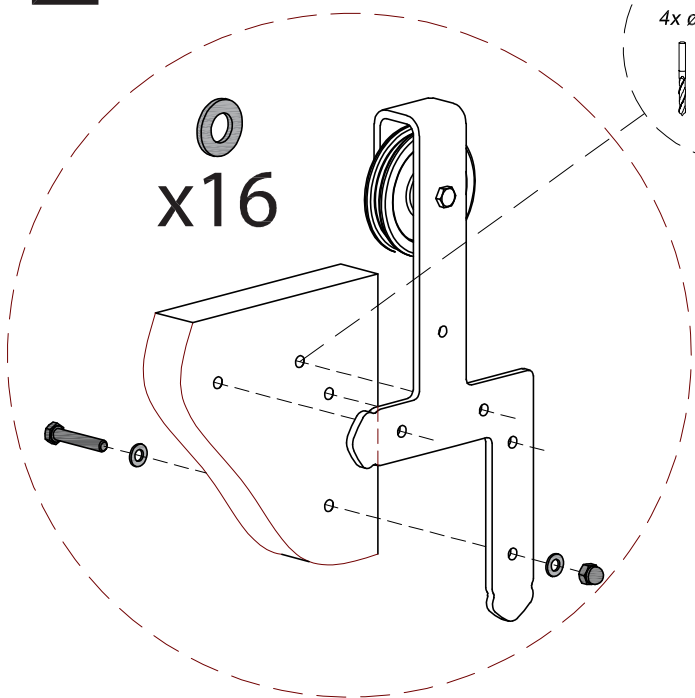
4.3



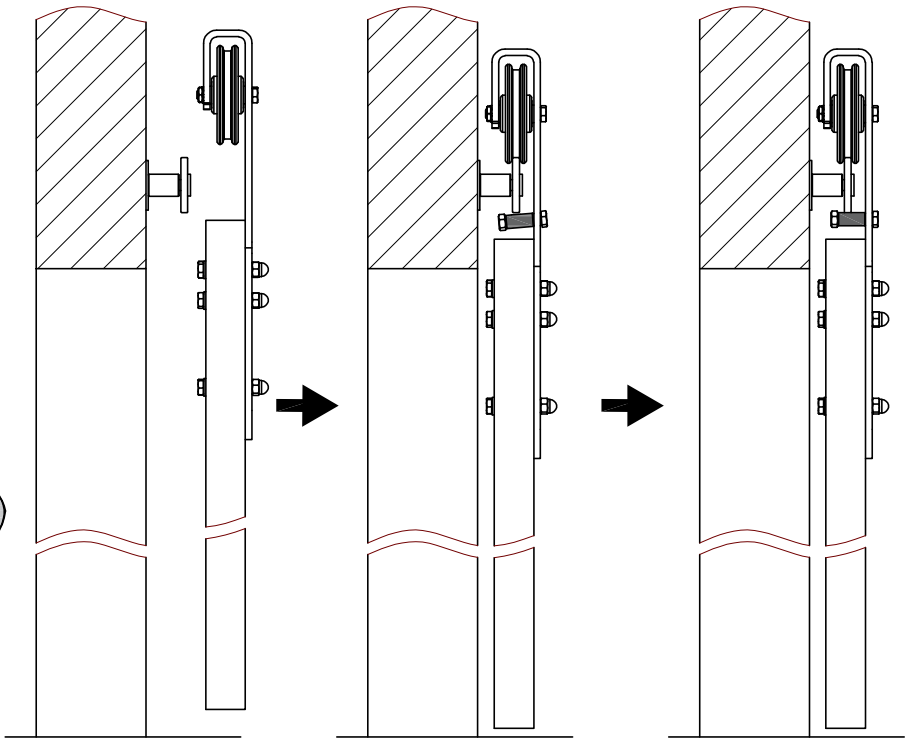
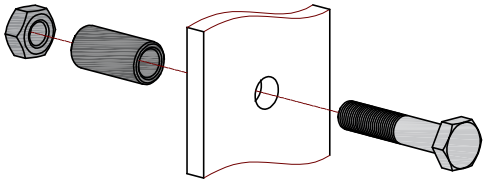
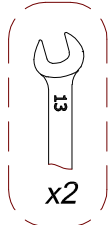
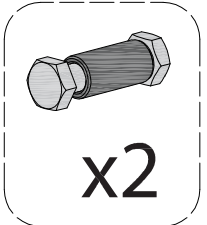
$35 < s < 38$



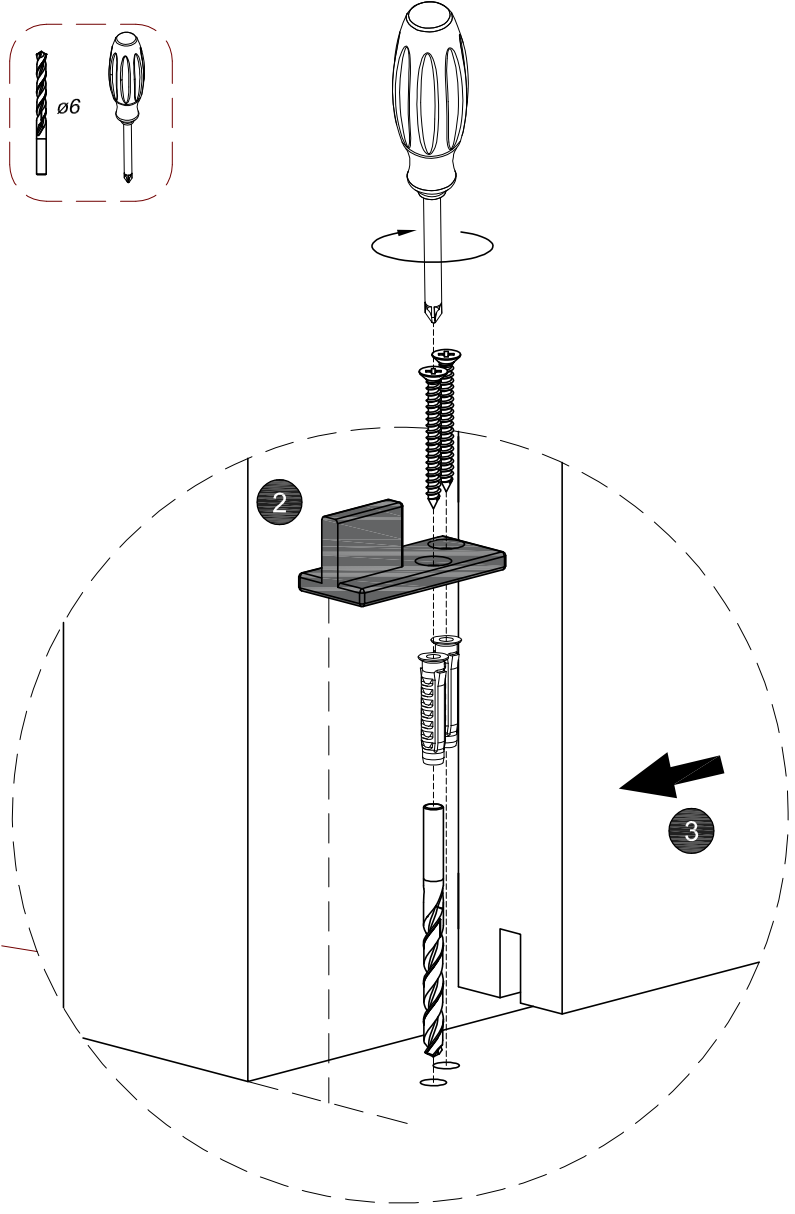
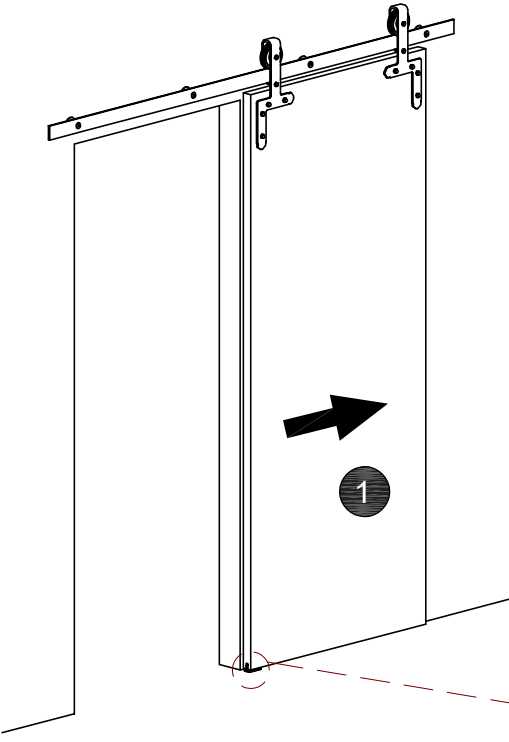
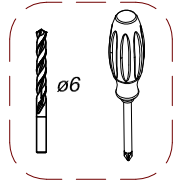
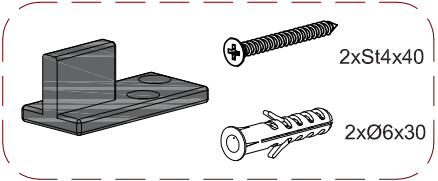
$38 \leq s < 42$



5

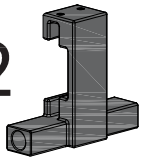


6



7

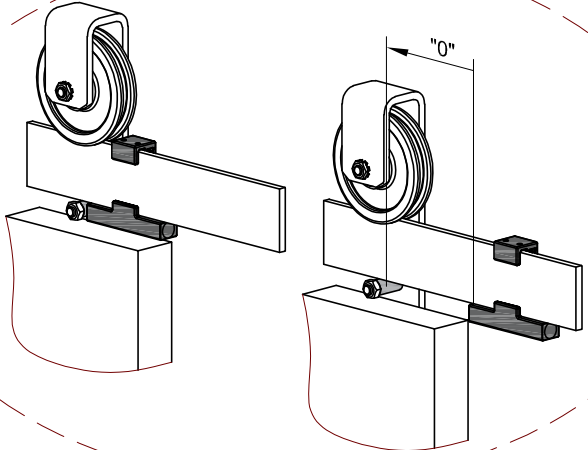
x2



#2

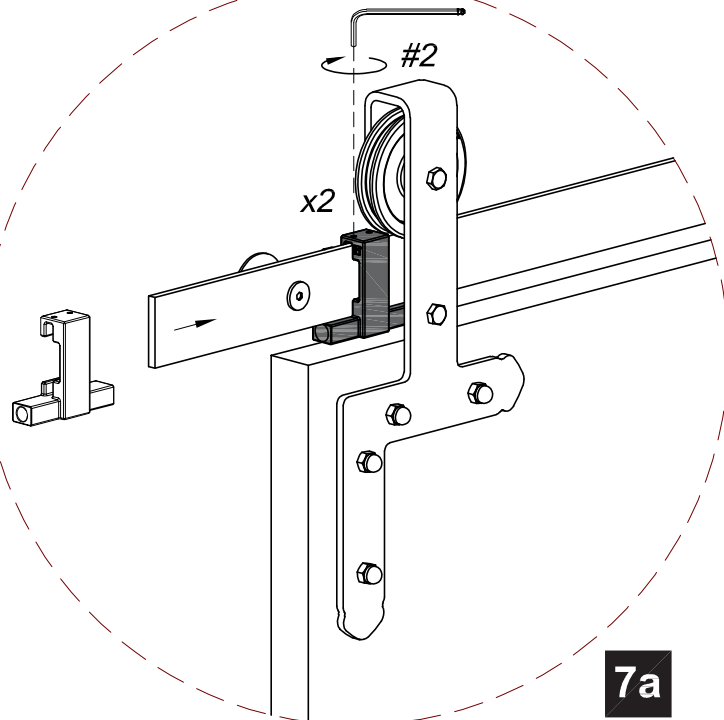


180°



#2

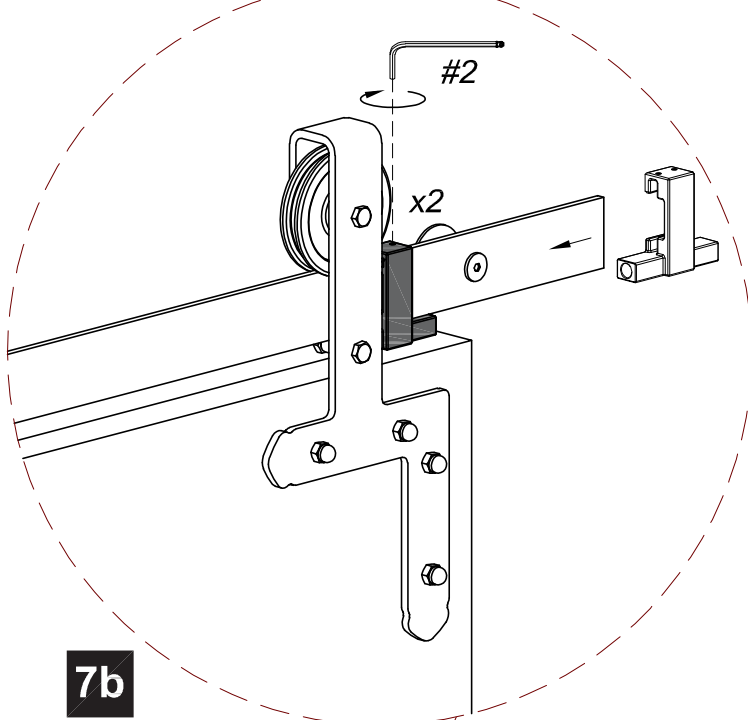
x2



7a

#2

x2



7b

