

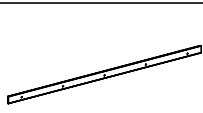


MANTION POLSKA

WWW.MANTION.PL

Bragi| ROC DESIGN

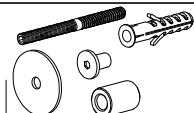
219-327, 219-337, 219-347, 219-357, 219-367



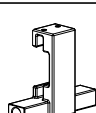
x1



x2



x4/x5/x6



x2



x2



x1



St4x40

Ø6x30

x2



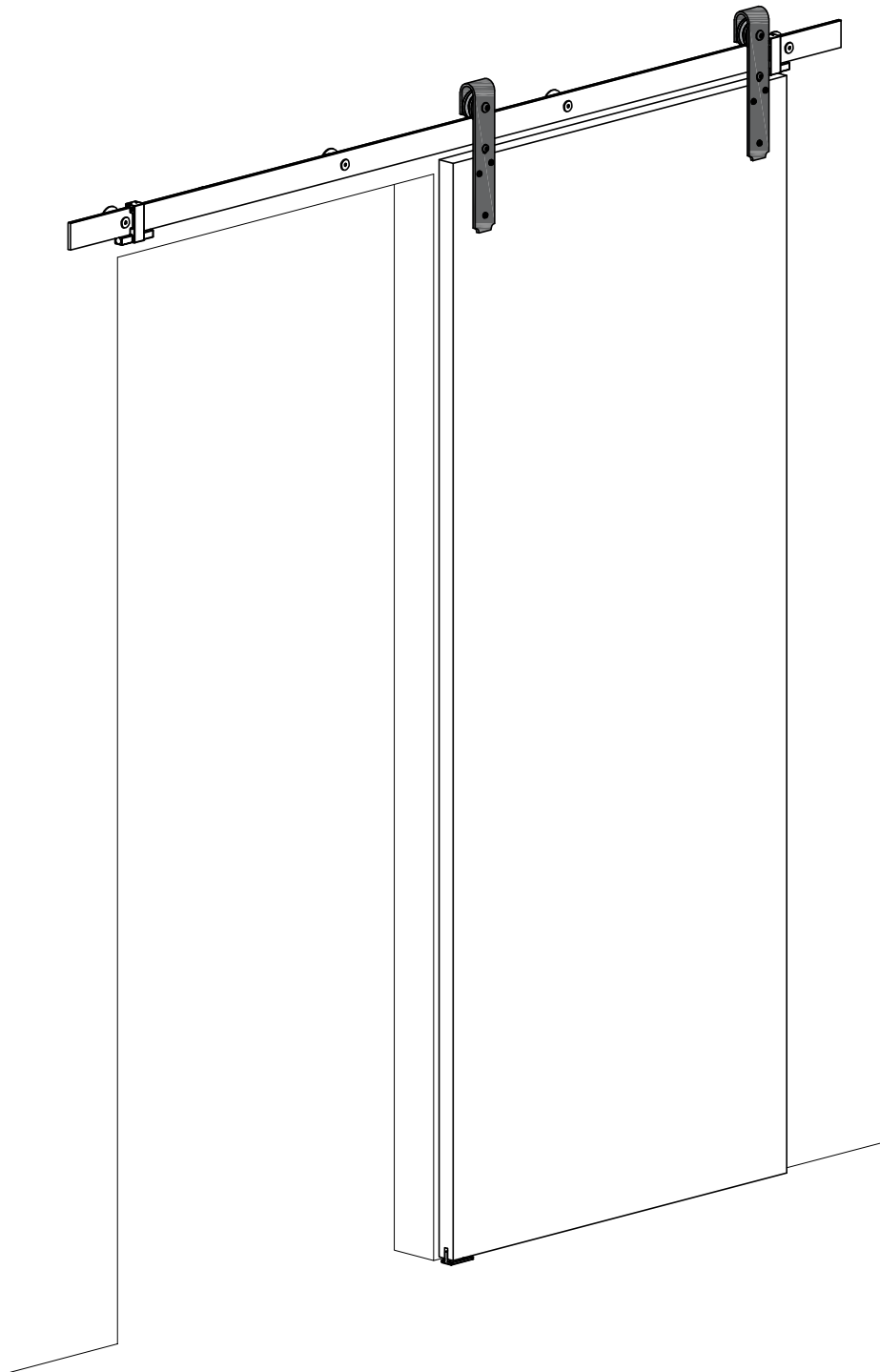
St5x40

x6



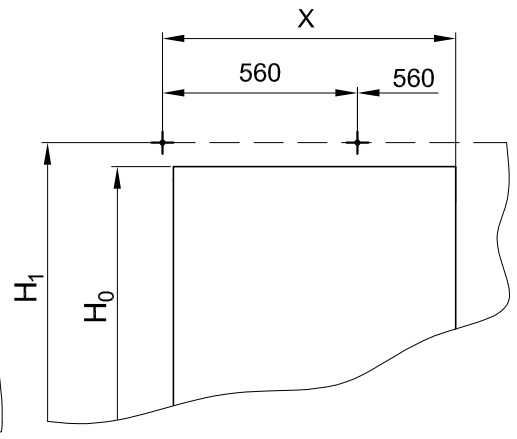
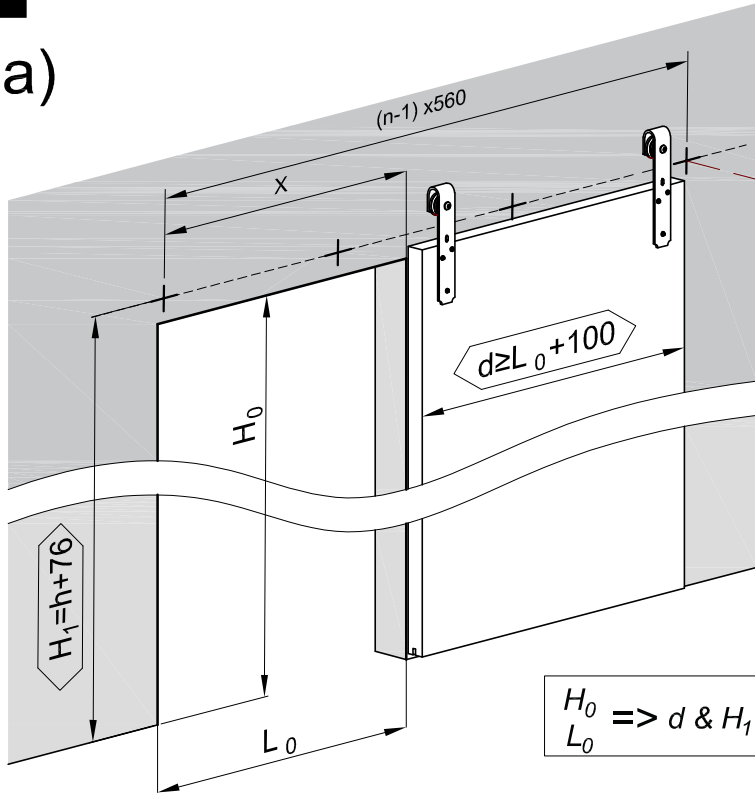
M4

x4



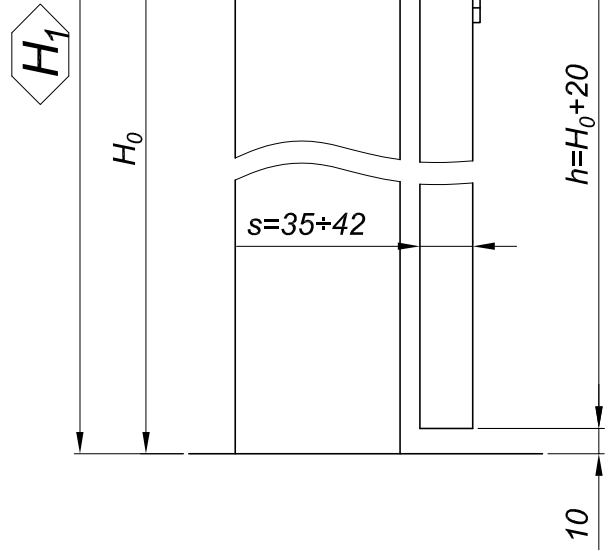
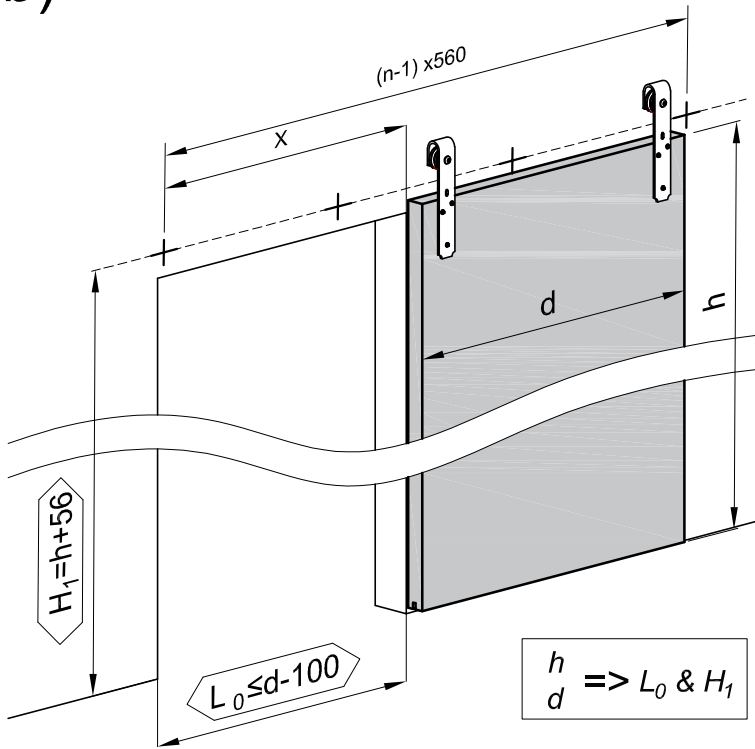
1

a)



L_{Track} [mm]	1950	2400	3000
X [mm]	840	1120	1400
n [szt]	4	5	6

b)

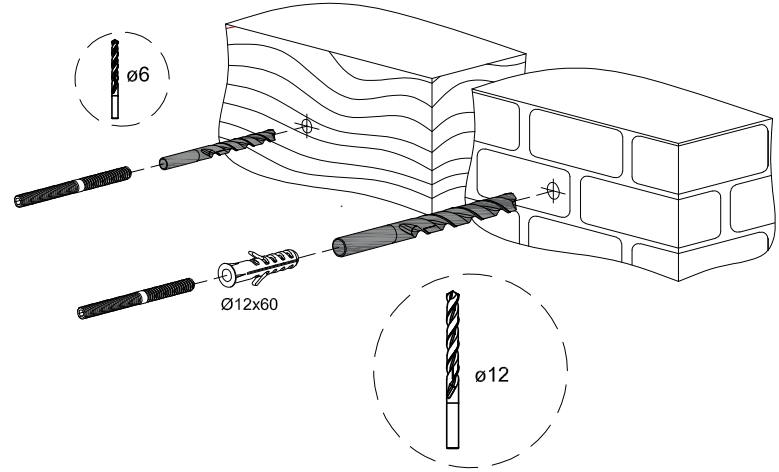
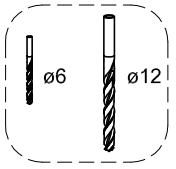


216-110
216-111

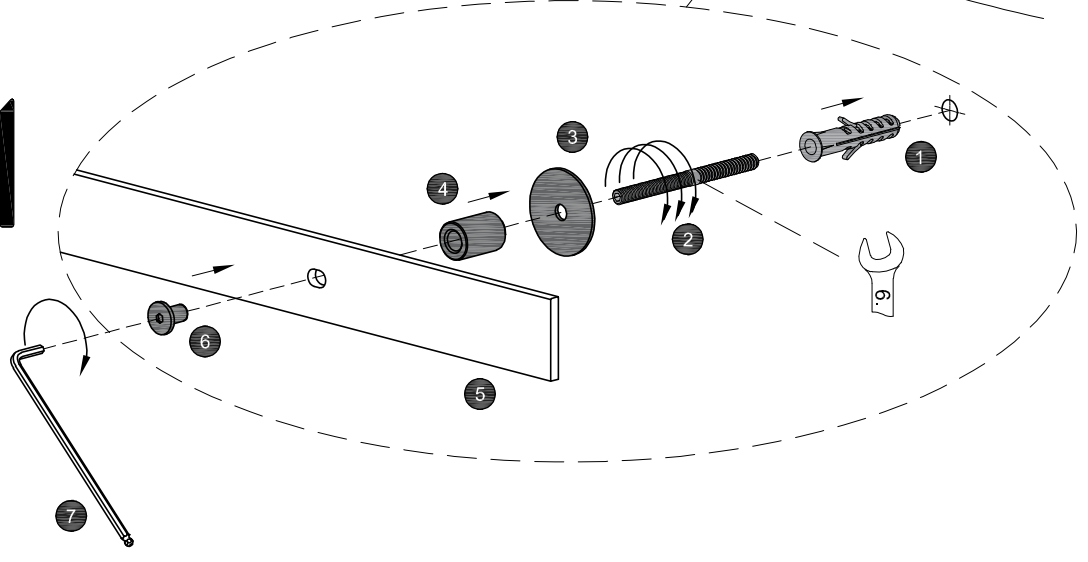
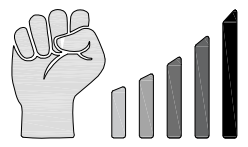
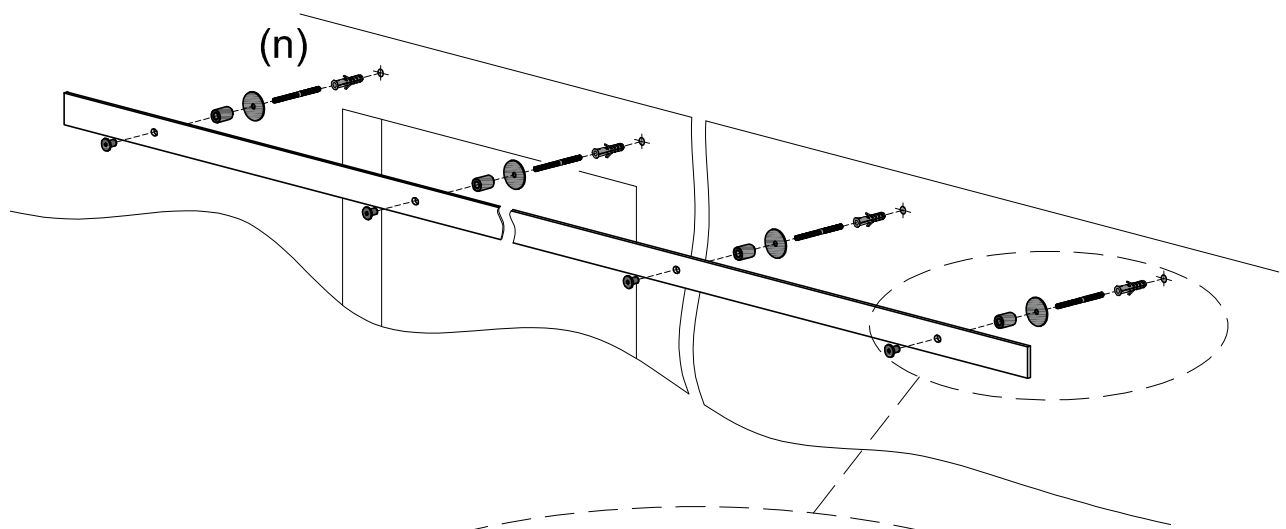
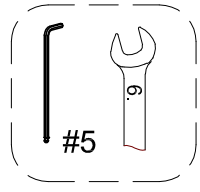
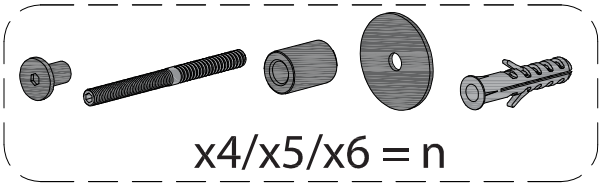
$H_1 = H_0 + 81$
 $H_1 = h + 61$



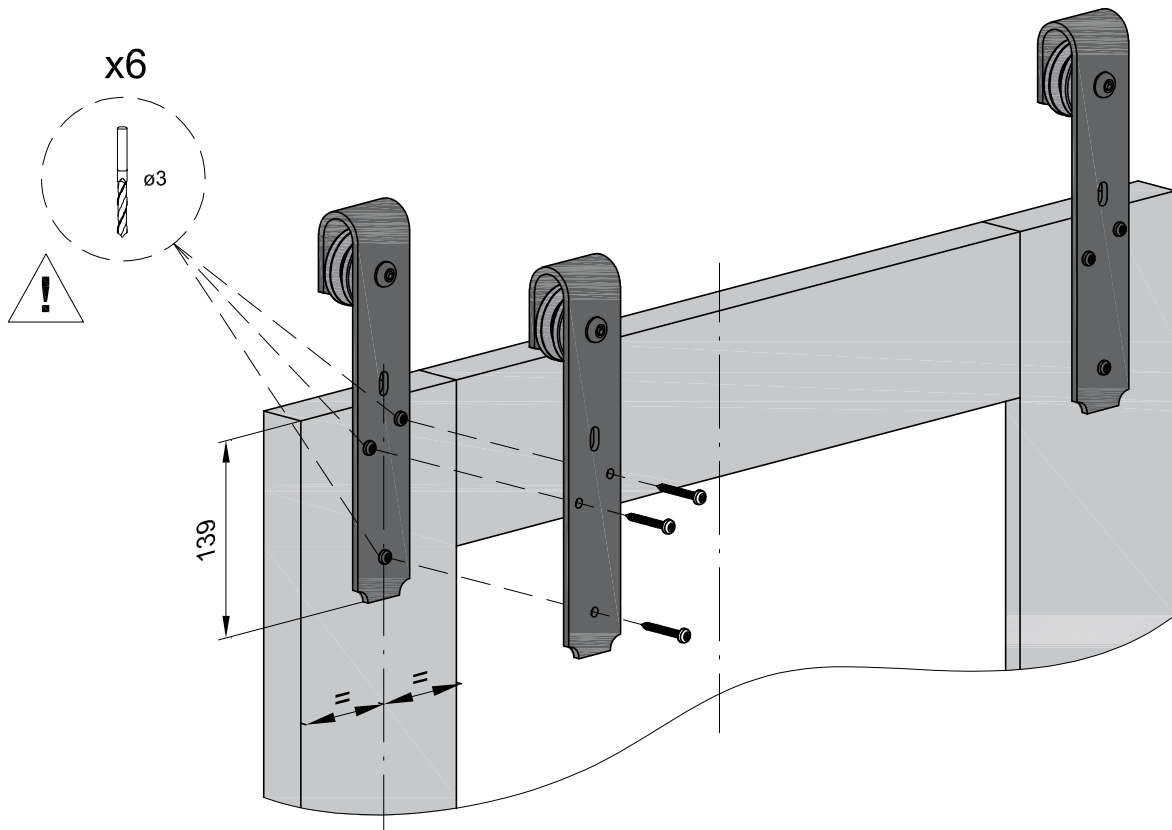
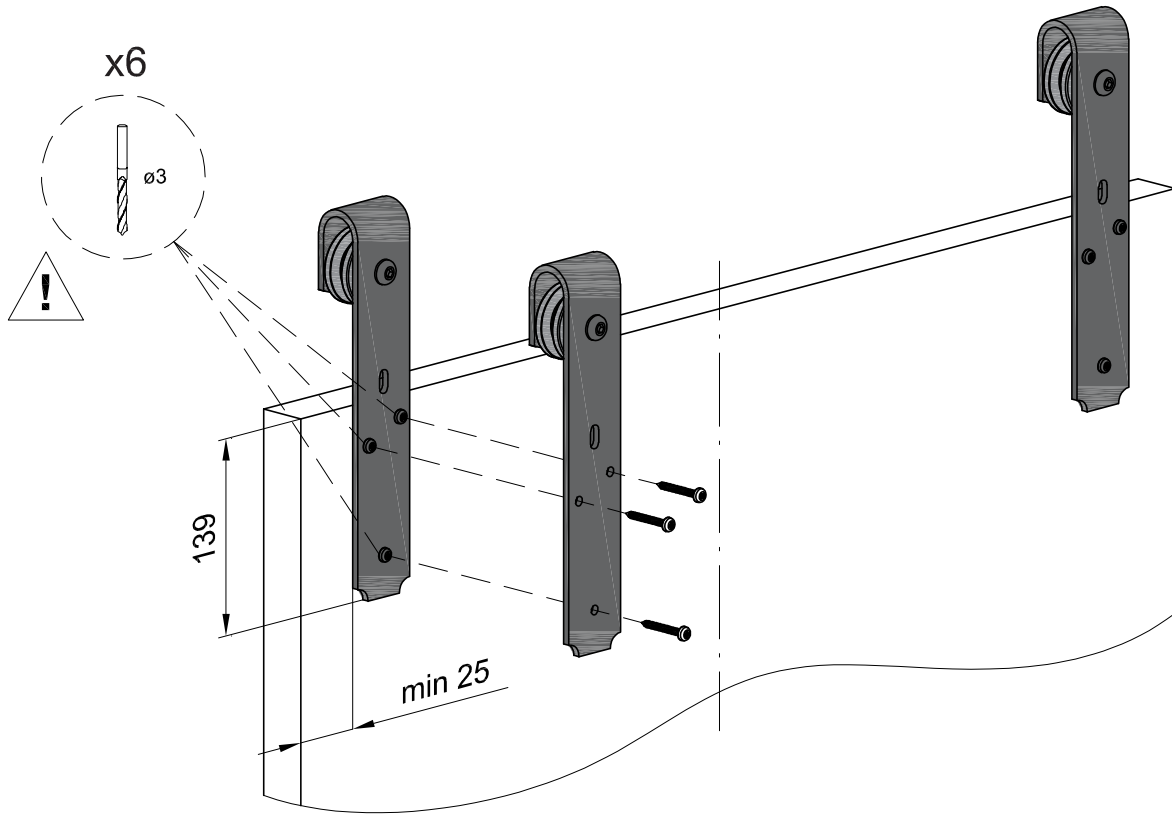
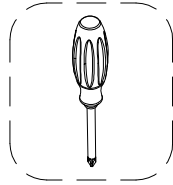
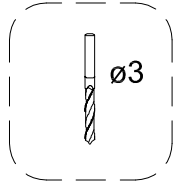
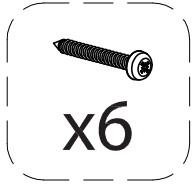
2



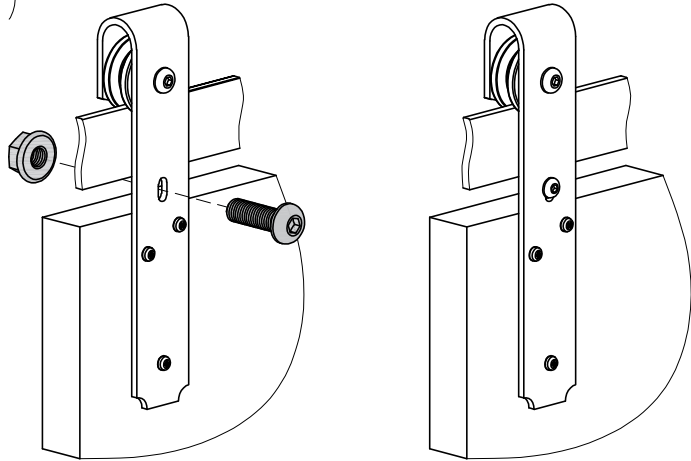
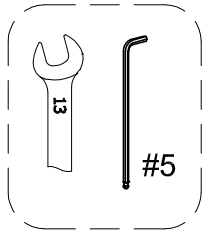
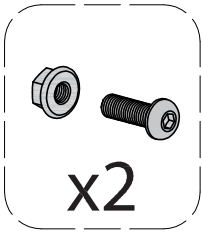
3



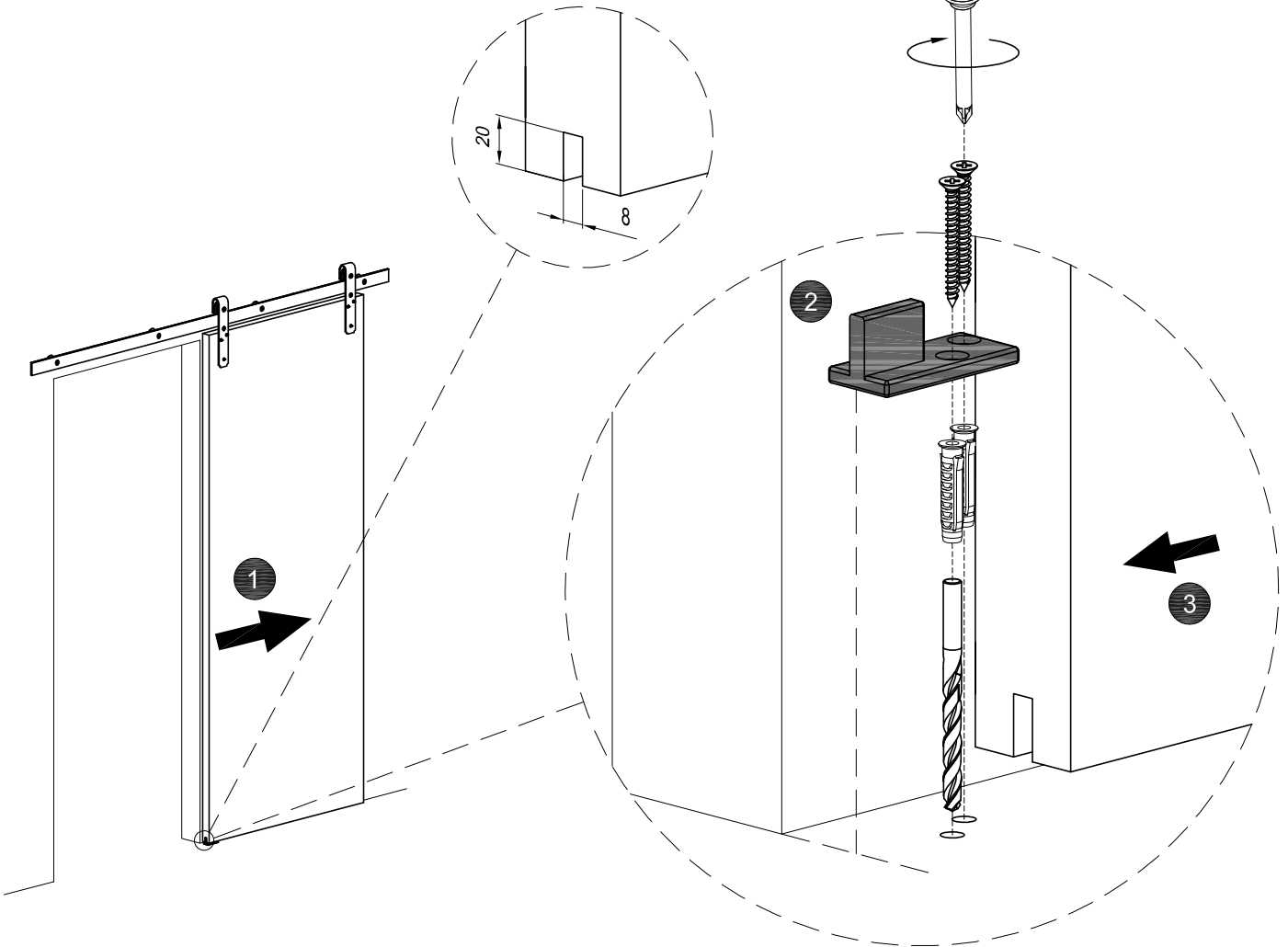
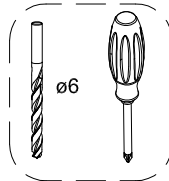
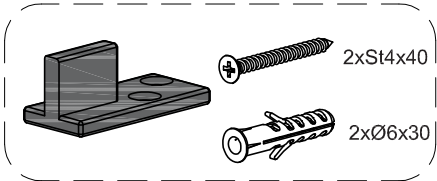
4



5

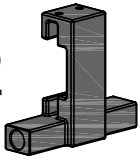


6

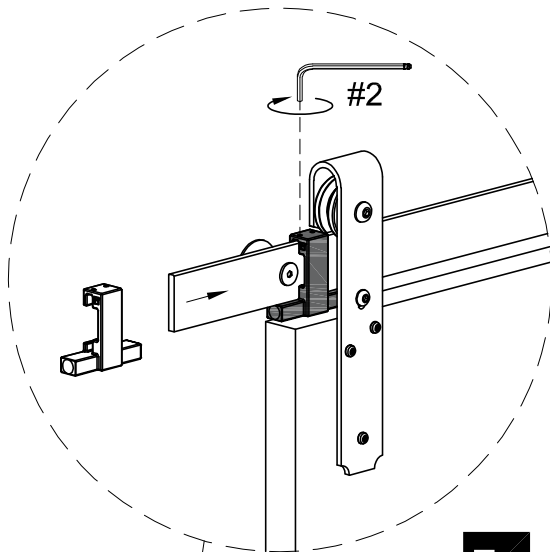
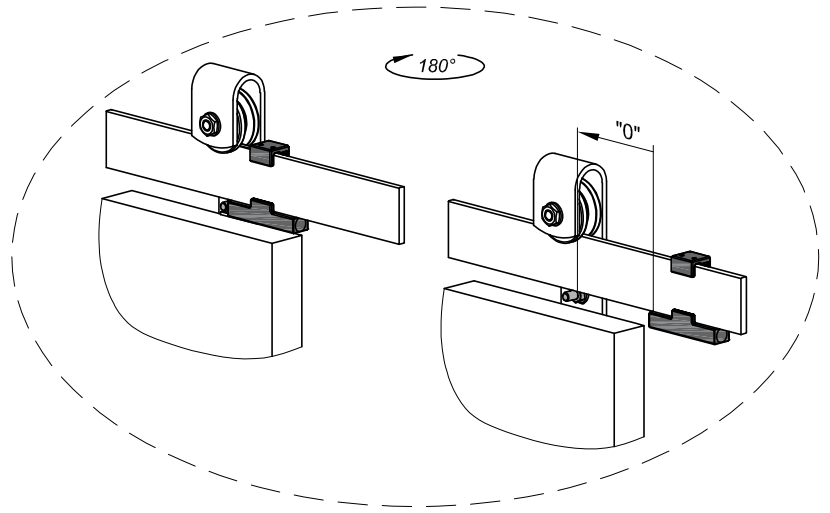


7

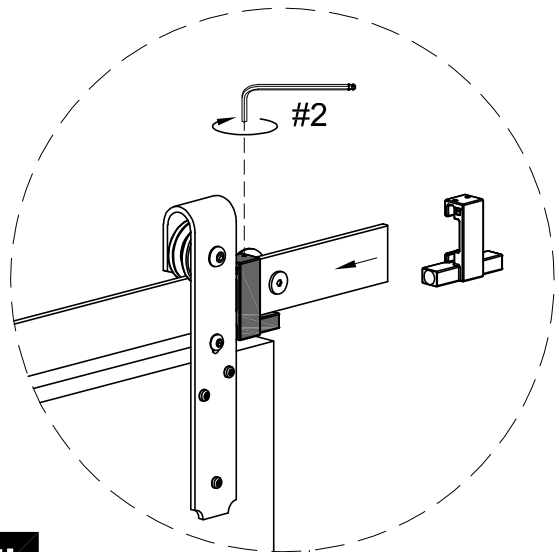
x2



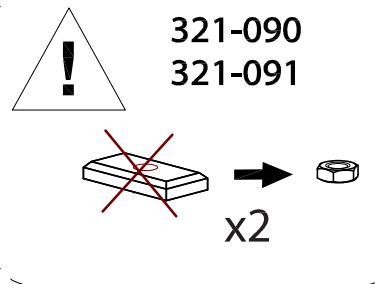
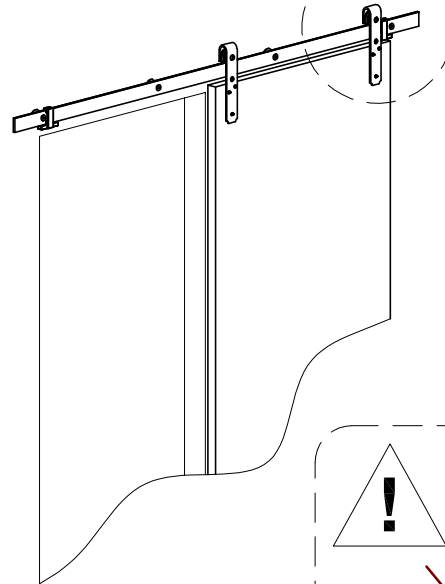
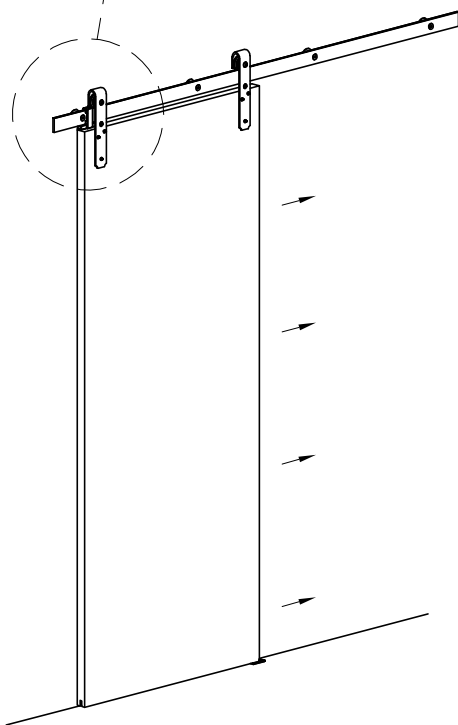
#2



7a



7b



321-090
321-091

x2

